

School Pattern Bib Tap FI Aerated

VP325F

Enware's vandal resistant School Pattern tapware is constructed from dezincification resistant (DR) brass with durable chrome plating and an easy to clean design. The handle features a vandal resistant internal locking ring securing it to the spindle and requires a special key to remove. For areas where there is a higher risk of vandalism choose the School Pattern non-removable handle (VPN), which utilises a handle permanently fixed to the spindle.

Features:

- High quality construction
- Comprehensive 12-month warranty
- Serviceable with all wearing components replaceable, thus providing an even longer life
- WELS 3 Star (7.7 lpm) water efficiency rating supplied as standard. Also available in 5 Star (5.6 lpm) ratings

Product Codes

VP325F	Jumper Valve
VP325S	Jumper Valve (School Specification)
VPQ325F	1/4 turn Ceramic Disc

Options:

- Also available with Ablution Outlet (VP333)

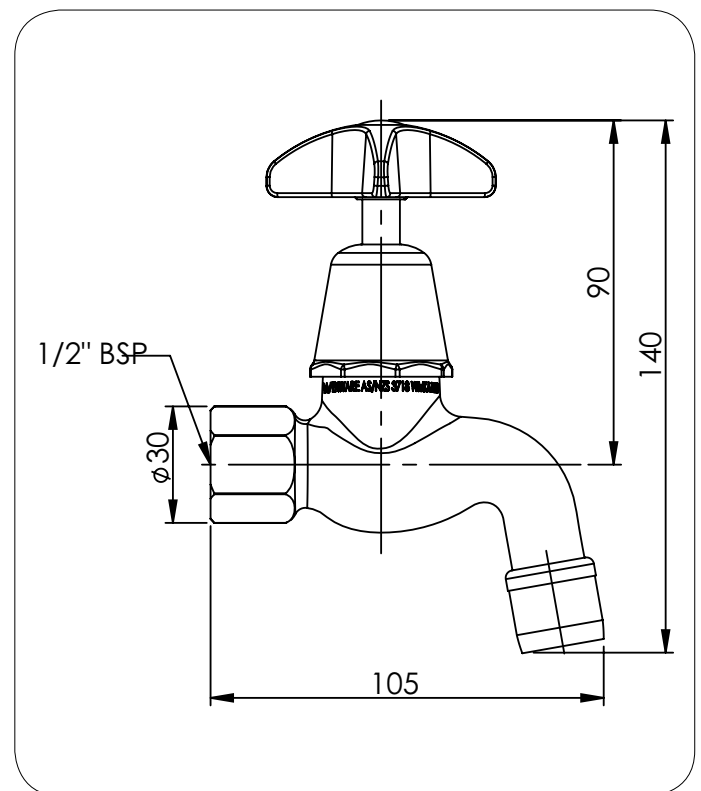


Technical Information

Working Pressure Range Ceramic Disc	50-800kPa 500kPa Max (PCA)*
Working Pressure Range Jumper Valve	30-1200kPa 500kPa Max (PCA)*
Maximum Working Temperature*	Ceramic Disc - 85°C Jumper Valve - 95°C

*Enware products are to be installed in accordance with AS/NZS3500. Heated Water Supply AS/NZS 3500.4: For all sanitary fixtures used primarily for personal hygiene purposes are to deliver heated water not exceeding:
a) 45°C for early childhood centres, primary and secondary schools and nursing homes or similar facilities for young, aged care, sick people with disabilities (43.5°C - NSW Code of Plumbing Practice)
b) 50°C in all other buildings

NOTE: Enware Australia advises -
1. Due to ongoing Research and Development, specifications may change without notice.
2. Component specifications may change on some export models.



Version: Apr 14

Call 1300 369 273
www.enware.com.au

Enware Australia Pty Limited
9 Endeavour Rd Caringbah NSW 2229 Australia
Ph: +61 2 8556 4000 Fax: +61 2 8556 4055

ENWARE
installing confidence