

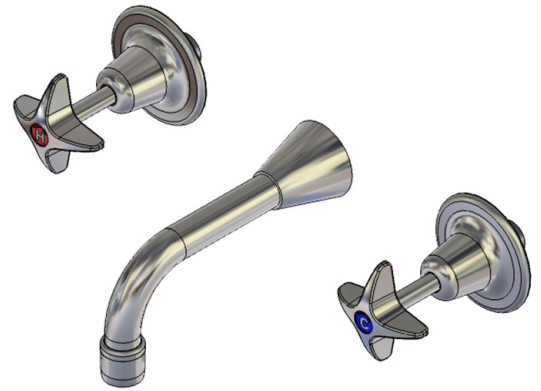
# School Pattern Recessed Set With SP201 Fixed Spout

## VP314

Enware's vandal resistant School Pattern tapware is durable and an easy to clean design. Ideal for areas where there is a higher risk of vandalism.

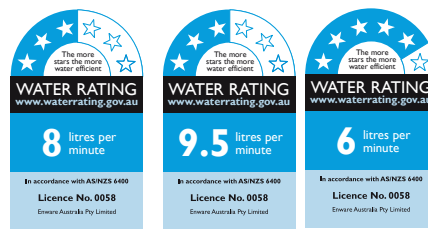
### FEATURES

- High quality dezincification resistant (DR) brass construction
- Chrome plated for durability
- Handle features a vandal resistant internal locking ring securing it to the spindle and requires a special key to remove
- Comprehensive 12-month warranty
- Serviceable with all wearing components replaceable, thus providing an even longer life
- WELS 3 Star (7.7 lpm) water efficiency rating supplied as standard. Also available in 2 (9.1 lpm) and 5 (5.6 lpm) Star ratings



### Product Codes

<b>VP314</b>	Jumper Valve
<b>VP314S</b>	Jumper Valve (School Specification)
<b>VPH314</b>	1/2 Turn Ceramic Disc
<b>VPN314</b>	Jumper Valve Non Removable Handle
<b>VPQ314</b>	1/4 Turn Ceramic Disc
<b>VPT314</b>	3/4 Turn Ceramic Disc



### Technical Information

Working Pressure Range Ceramic Disc	50-800kPa 500kPa Max (PCA)*
Working Pressure Range Jumper Valve	30-1200kPa 500kPa Max (PCA)*
Maximum Working Temperature*	Ceramic Disc - 85°C
	Jumper Valve - 95°C

\*Enware products are to be installed in accordance with the Plumbing Code of Australia and AS/NZS3500.

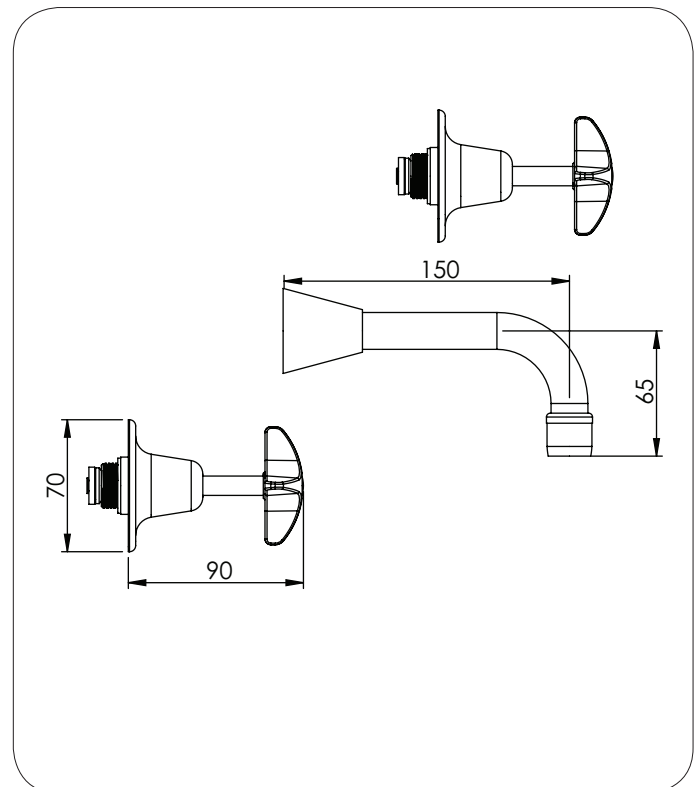
#### AS/NZS 3500.4 Heated Water Services:

All heated water installations for sanitary fixtures used primarily for personal hygiene purposes shall deliver heated water at a temperature not exceeding:

- 45°C for healthcare and aged care buildings, early childhood centres, primary and secondary schools and nursing homes, or similar facilities for the aged, the sick, children or people with disabilities; and
- 50°C for all other situations (Laundries and kitchen sinks are not required to have heated water at a maximum of 50°C)

#### NOTE: Enware Australia advises:

- Due to ongoing Research and Development, specifications may change without notice.
- Component specifications may change on some export models.



Version: Mar17

**Call 1300 369 273**  
**www.enware.com**

Enware Australia Pty Limited  
9 Endeavour Rd Caringbah NSW 2229 Australia  
Ph: 02 8536 4000 Fax: 02 8556 4055

**ENWARE**  
installingconfidence