

School Pattern Bib Tap MI 15mm

VP301M

Enware's vandal resistant School Pattern tapware features an easy to clean design with a vandal resistant handle featuring an internal locking ring securing the spindle. Ideal for areas with a higher risk of vandalism

FEATURES

- High quality construction from dezincification resistant (DR) brass with durable chrome plated finish
- Vandal-resistant internal locking ring secures the handle and requires the supplied special key to release
- Jumper Valve or ½ turn Ceramic disc options
- Serviceable with all wearing components replaceable, providing an even longer life

OPTIONS:

- Also available with Ablution Outlet (VP312) and Aerated Outlets (VP325)



Product Codes

VP301M	School Pattern Bib Tap 15mm FI Jumper Valve
VPQ301M	School Pattern Bib Tap 15mm FI ½ Turn Ceramic Disc
VPN301M	Jumper Valve Non Removable Handle

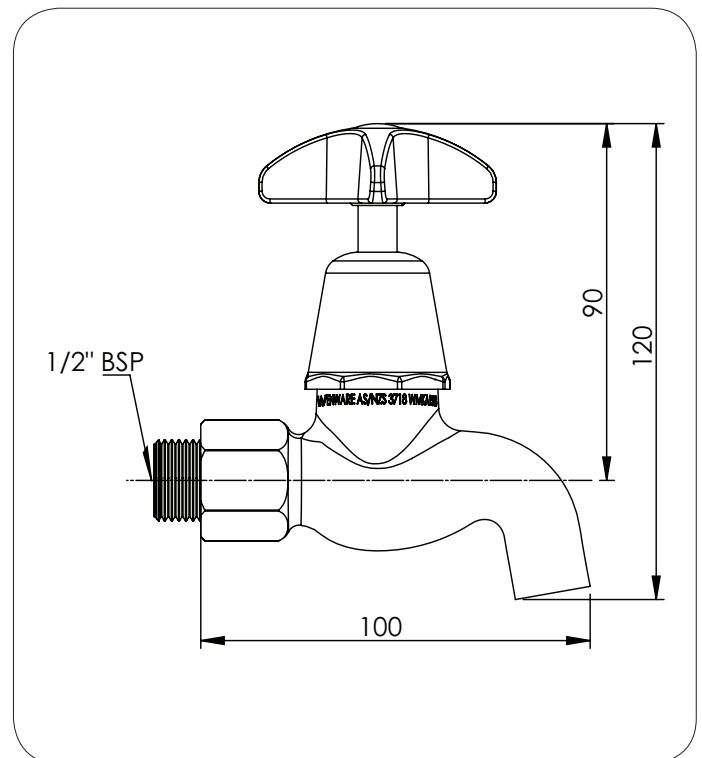


Technical Information

Inlet Connection	½" BSP
Operating Pressure Range Ceramic Disc	50 - 800 kPa
Operating Pressure Range Jumper Valve	10-2000kPa
Recommended Pressure	100 - 500 kPa
Flow Rate	8 l/minute
Operating Temperature Range Ceramic Disc	0-75°C
Operating Temperature Range Jumper Valve	0-95°C

Enware tapware must be installed in accordance with the provisions of AS/NZS3500 and any relevant local regulations. Installations not complying with AS/NZS3500 may void the product and performance warranty provisions.

The performance of Enware AS/NZS 3718 tapware, in many cases, exceeds the plumbing system design requirements of the Plumbing Code of Australia and AS/NZS 3500.



Version: May 18

Call 1300 369 273
www.enware.com.au

Enware Australia Pty Limited
9 Endeavour Rd Caringbah NSW 2229 Australia
Ph: 02 8536 4000 info@enware.com.au

