

REV	DATE	CN	AMMENDMENTS	MODIFIED BY
A	06/12/07		FIRST ISSUE	

**GENERAL NOTES:**  
 REMOVE ALL BURRS AND SHARP EDGES UNLESS OTHERWISE STATED  
 DIMENSIONS ARE IN mm's

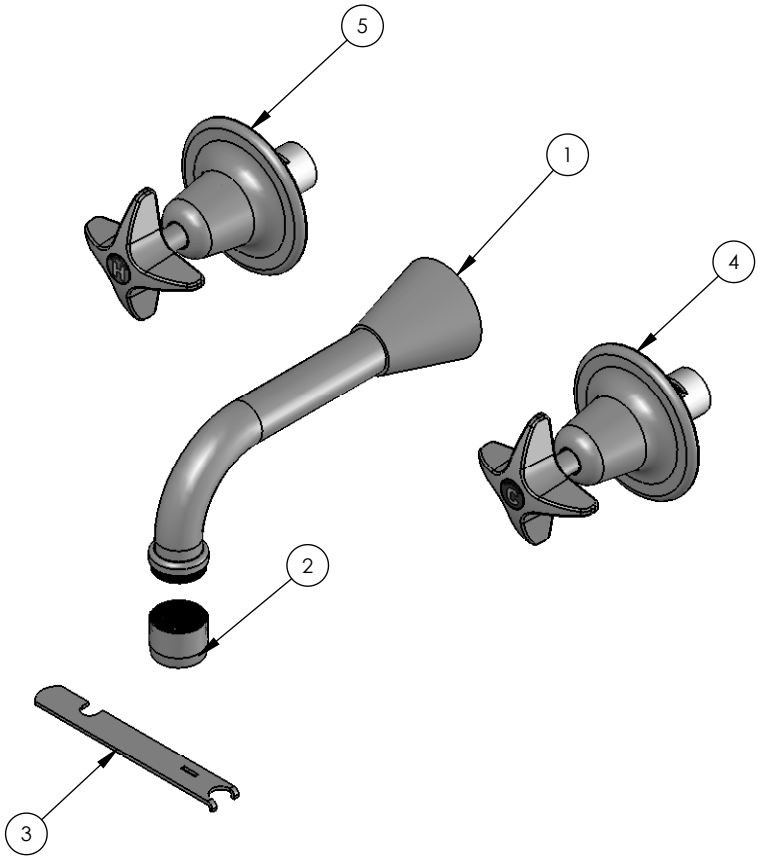
**TOLERANCE EXCEPT WHERE STATED:**

NO DECIMAL POINT     $\pm 0.2$   
 ONE DECIMAL PLACE     $\pm 0.1$   
 TWO DECIMAL PLACES     $\pm 0.05$   
 ANGLES     $\pm 1$

**ENWARE RESERVES THE RIGHT TO AMEND PRODUCT SPECIFICATIONS AND DESIGNS WITHOUT NOTICE.**

DRAWN	SM	9 Endeavour Rd, Caringbah, NSW, 2229 Ph. 61-2-9525-9511 Fax. 61-2-9524-8421	
CHECKED			
APPROVED			
TITLE: <b>VPQ REC/SET W/SP201 F/SPT</b>			
Scale: Not To Scale		Scale: Not To Scale	
MATERIAL:			
FINISH: <b>CHROME PLATED</b>			
This drawing is the Copyright of Enware Australia Pty Ltd and may not be reproduced in full or part without the written consent of Enware Australia Pty Ltd		DWG NO.	SHEET 1 OF 2
		<b>VPQ314</b>	

ITEM NO.	PART NUMBER	DESCRIPTION	QTY.
1	880459	SPOUT-BATH 150mm AERATOR	1
2	672569	AERATOR FEMALE C/P (PERLATOR)	1
3	880505	SPANNER-VANDAL PROOF	1
4	780571	RECESS TOP/ASSY SP Q/T(COLD)	1
5	780570	RECESS TOP/ASSY SP Q/T(HOT)	1



REV	DATE	CN	AMMENDMENTS	MODIFIED BY
A	06/12/07		FIRST ISSUE	

**GENERAL NOTES:**  
 REMOVE ALL BURRS AND SHARP EDGES UNLESS OTHERWISE STATED  
 DIMENSIONS ARE IN mm's

**TOLERANCE EXCEPT WHERE STATED:**

NO DECIMAL POINT     $\pm 0.2$   
 ONE DECIMAL PLACE     $\pm 0.1$   
 TWO DECIMAL PLACES     $\pm 0.05$   
 ANGLES     $\pm 1$

**ENWARE RESERVES THE RIGHT TO AMEND PRODUCT SPECIFICATIONS AND DESIGNS WITHOUT NOTICE.**

DRAWN	SM	9 Endeavour Rd, Caringbah, NSW, 2229 Ph. 61-2-9525-9511 Fax. 61-2-9524-8421		
CHECKED				
APPROVED				
TITLE: <b>VPQ REC/SET W/SP201 F/SPT</b>				
Scale: Not To Scale		Scale: Not To Scale		
MATERIAL:				
FINISH: <b>CHROME PLATED</b>				
This drawing is the Copyright of Enware Australia Pty Ltd and may not be reproduced in full or part without the written consent of Enware Australia Pty Ltd		DWG NO.		SHEET 2 OF 2
		<b>VPQ314</b>		