

REV	DATE	CN	AMMENDMENTS	MODIFIED BY
A	23/06/06		REDRAWN IN SOLID	
B	06/12/07		REDRAWN	SM

GENERAL NOTES:
 REMOVE ALL BURRS AND SHARP EDGES UNLESS OTHERWISE STATED
 DIMENSIONS ARE IN mm's

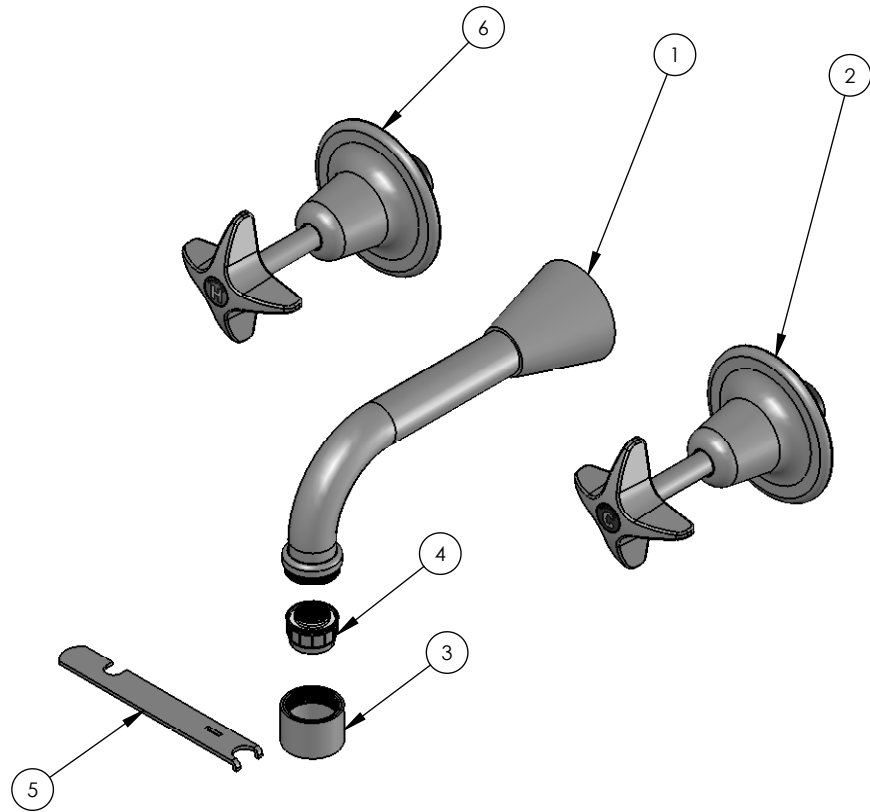
TOLERANCE EXCEPT WHERE STATED:

NO DECIMAL POINT ± 0.2
 ONE DECIMAL PLACE ± 0.1
 TWO DECIMAL PLACES ± 0.05
 ANGLES ± 1

ENWARE RESERVES THE RIGHT TO AMEND PRODUCT SPECIFICATIONS AND DESIGNS WITHOUT NOTICE.

DRAWN	AC	9 Endeavour Rd, Caringbah, NSW, 2229 Ph. 61-2-9525-9511 Fax. 61-2-9524-8421		
CHECKED				
APPROVED				
TITLE: VP NR REC/SET W/SP201 F/SPOUT				
Scale: Not To Scale			Scale: Not To Scale	
MATERIAL:				
FINISH: CHROME PLATED				
This drawing is the Copyright of Enware Australia Pty Ltd and may not be reproduced in full or part without the written consent of Enware Australia Pty Ltd			DWG NO.	SHEET 1 OF 2
			VPN314	

ITEM NO.	PART NUMBER	DESCRIPTION	QTY.
1	880459	SPOUT-BATH 150mm AERATOR	1
2	790534	REC TOP ASSY S/P FIXED HOT	1
3	672009	AERATOR ANTI-VANDAL NE535 FEMALE	1
4	672411	REG M&K DWEO AER INS 8L/M-BULK	1
5	880505	SPANNER-VANDAL PROOF	1
6	790535	REC TOP ASSY S/P FIXED HOT	1



REV	DATE	CN	AMMENDMENTS	MODIFIED BY
A	23/06/06		REDRAWN IN SOLID	
B	06/12/07		REDRAWN	SM

GENERAL NOTES:
 REMOVE ALL BURRS AND SHARP EDGES UNLESS OTHERWISE STATED
 DIMENSIONS ARE IN mm's

TOLERANCE EXCEPT WHERE STATED:

NO DECIMAL POINT ± 0.2
 ONE DECIMAL PLACE ± 0.1
 TWO DECIMAL PLACES ± 0.05
 ANGLES ± 1

ENWARE RESERVES THE RIGHT TO AMEND PRODUCT SPECIFICATIONS AND DESIGNS WITHOUT NOTICE.

DRAWN	AC	9 Endeavour Rd, Caringbah, NSW, 2229 Ph. 61-2-9525-9511 Fax. 61-2-9524-8421		
CHECKED				
APPROVED				
TITLE: VP NR REC/SET W/SP201 F/SPOUT				
Scale: Not To Scale		Scale: Not To Scale		
MATERIAL:				
FINISH: CHROME PLATED				
<small>This drawing is the Copyright of Enware Australia Pty Ltd and may not be reproduced in full or part without the written consent of Enware Australia Pty Ltd</small>			DWG NO.	SHEET 2 OF 2
			VPN314	