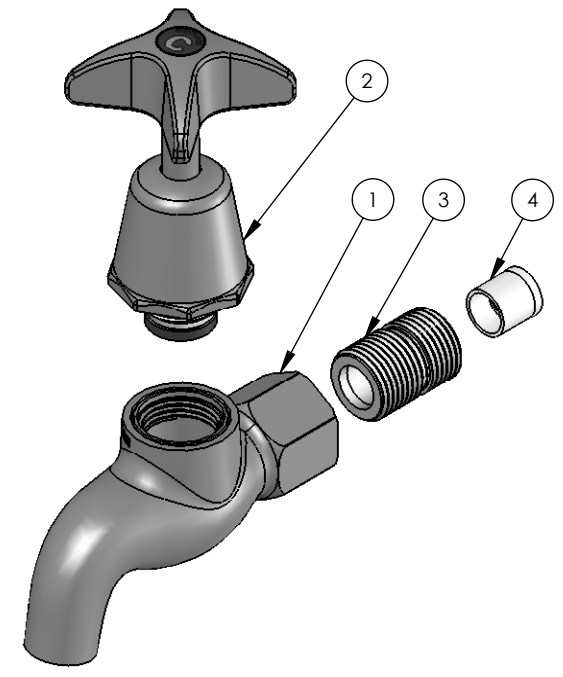
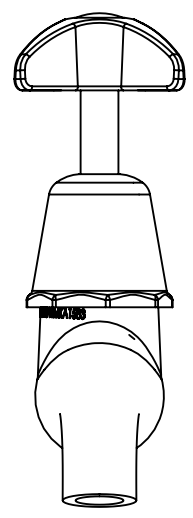
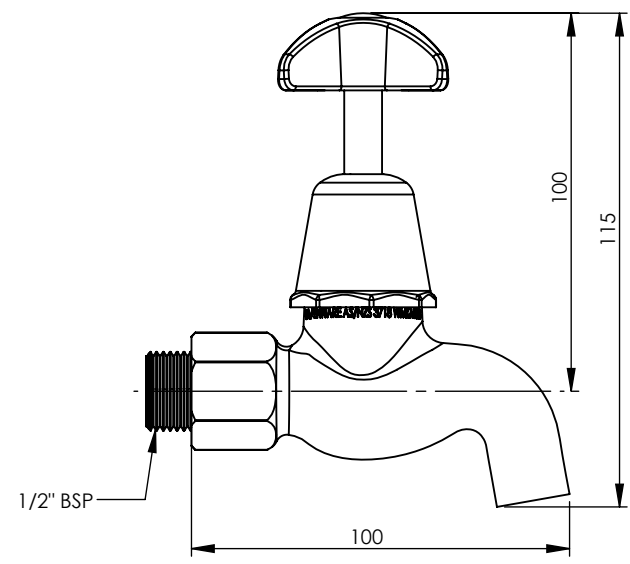
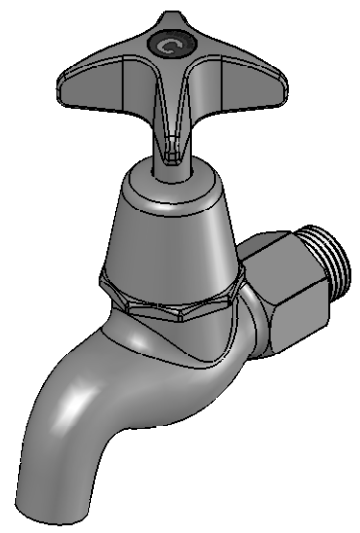
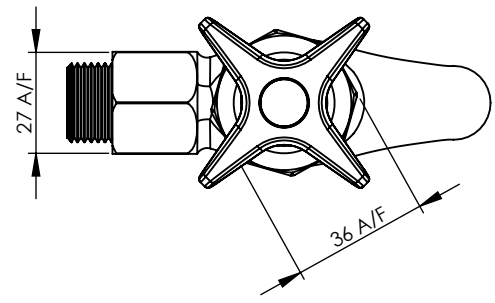


ITEM NO.	PART NUMBER	DESCRIPTION	QTY.
1	880115	COCK-BIB 1/2 FEMALE	1
2	790530	TOP ASSY S/P STD FIXED COLD	1
3	894555	TAIL - BIB COCK MALE	1
4	672442	REG-FLOW CONTROLLER MR01-AG VIC P/COCK	1



REV	DATE	CN	AMMENDMENTS	MODIFIED BY
A	07/11/07		FIRST ISSUE	

**GENERAL NOTES:**  
 REMOVE ALL BURRS AND SHARP EDGES UNLESS OTHERWISE STATED  
 DIMENSIONS ARE IN mm's

**TOLERANCE EXCEPT WHERE STATED:**

NO DECIMAL POINT     $\pm 0.2$   
 ONE DECIMAL PLACE     $\pm 0.1$   
 TWO DECIMAL PLACES     $\pm 0.05$   
 ANGLES     $\pm 1$

ENWARE RESERVES THE RIGHT TO AMEND PRODUCT SPECIFICATIONS AND DESIGNS WITHOUT NOTICE.

DRAWN	SM	9 Endeavour Rd, Caringbah, NSW, 2229 Ph. 61-2-9525-9511 Fax. 61-2-9524-8421	
CHECKED			
APPROVED			
TITLE: <b>VP NR BIB COCK MI 15MM</b>			
Scale: Not To Scale		Scale: Not To Scale	
MATERIAL: FINISH: CHROME PLATED			
This drawing is the Copyright of Enware Australia Pty Ltd and may not be reproduced in full or part without the written consent of Enware Australia Pty Ltd		DWG NO.	SHEET 1 OF 1
		<b>VPN301M</b>	