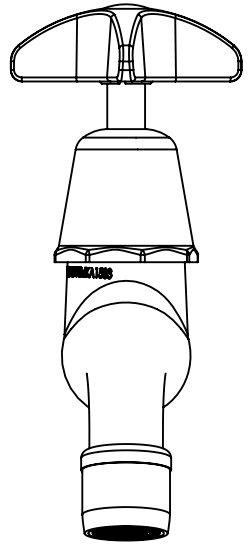
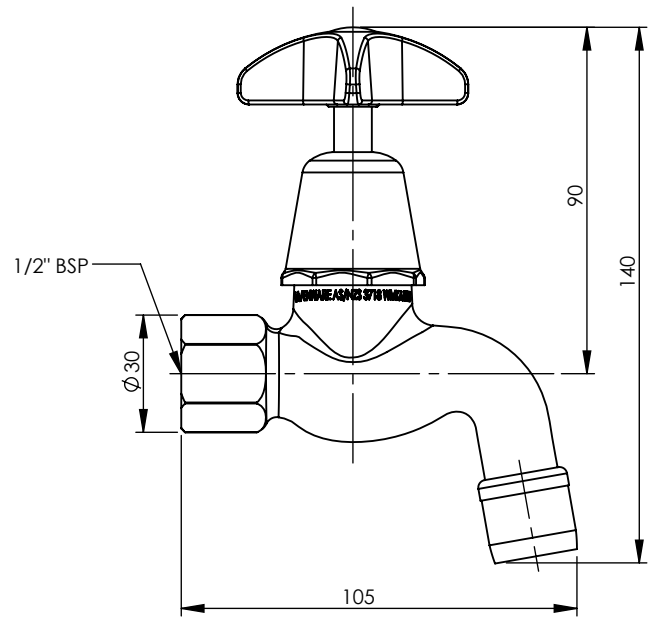
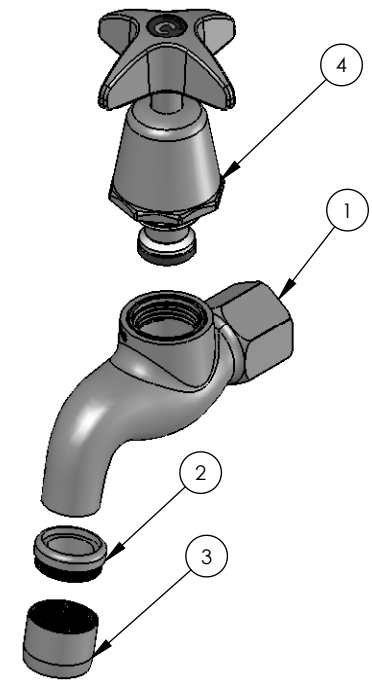
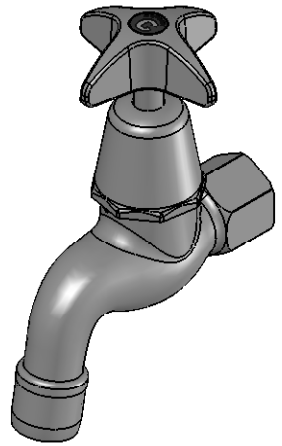
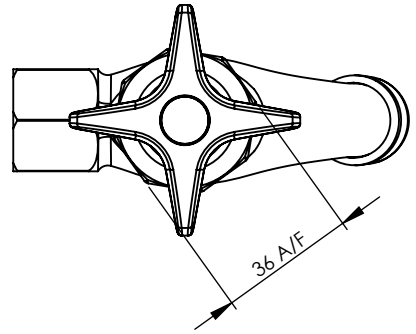


ITEM NO.	PART NUMBER	DESCRIPTION	QTY.
1	892115	COCK-BIB 1/2 FEMALE BODY ONLY POLISHED	1
2	893267	INSERT - AERATOR BIB COCK FEMALE	1
3	672569	AERATOR FEMALE C/P (PERLATOR)	1
4	790561	TOP ASSY S/P STD.(COLD)	1



REV	DATE	CN	AMMENDMENTS	MODIFIED BY
A	15/07/05		FIRST ISSUE	
B	12/12/07		REDRAWN	

**GENERAL NOTES:**  
 REMOVE ALL BURRS AND SHARP EDGES UNLESS OTHERWISE STATED  
 DIMENSIONS ARE IN mm's

**TOLERANCE EXCEPT WHERE STATED:**

NO DECIMAL POINT  $\pm 0.2$   
 ONE DECIMAL PLACE  $\pm 0.1$   
 TWO DECIMAL PLACES  $\pm 0.05$   
 ANGLES  $\pm 1$

ENWARE RESERVES THE RIGHT TO AMEND PRODUCT SPECIFICATIONS AND DESIGNS WITHOUT NOTICE.

DRAWN	SM	9 Endeavour Rd, Caringbah, NSW, 2229 Ph. 61-2-9525-9511 Fax. 61-2-9524-8421	
CHECKED			
APPROVED			
TITLE: <b>VP BIB COCK FI AER</b>			
Scale: Not To Scale		Scale: Not To Scale	
MATERIAL:			
FINISH: <b>CHROME PLATED</b>			
<small>This drawing is the Copyright of Enware Australia Pty Ltd and may not be reproduced in full or part without the written consent of Enware Australia Pty Ltd</small>			
DWG NO. <b>VP325F</b>			SHEET 1 OF 1