

REV	DATE	CN	AMMENDMENTS	MODIFIED BY
A	06/12/07		FIRST ISSUE	

GENERAL NOTES:
 REMOVE ALL BURRS AND SHARP EDGES UNLESS OTHERWISE STATED
 DIMENSIONS ARE IN mm's

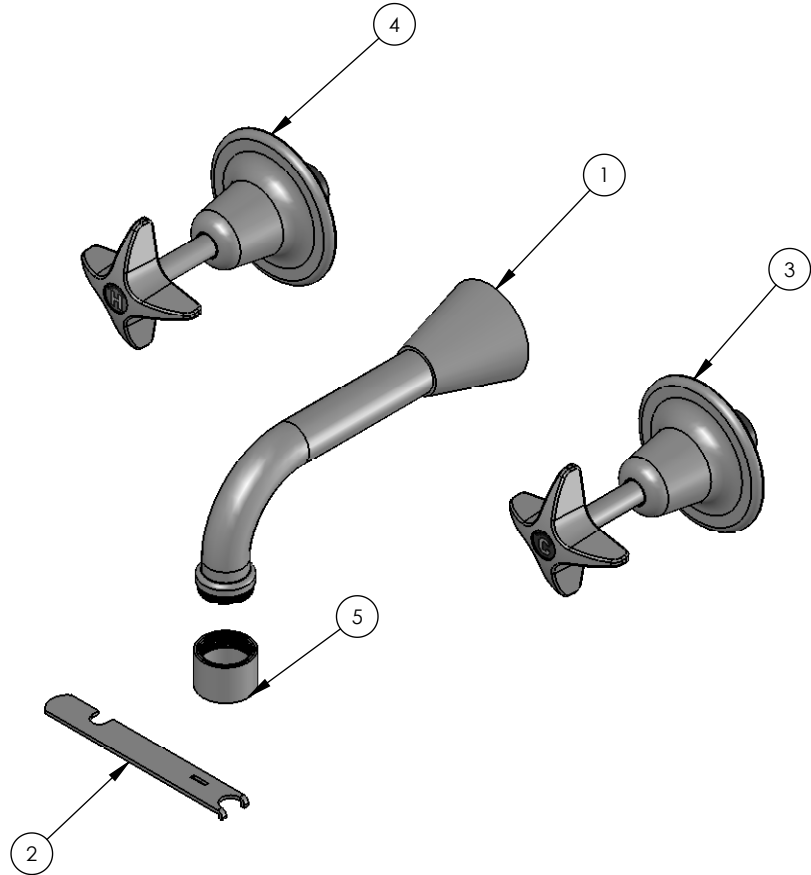
TOLERANCE EXCEPT WHERE STATED:

NO DECIMAL POINT ± 0.2
 ONE DECIMAL PLACE ± 0.1
 TWO DECIMAL PLACES ± 0.05
 ANGLES ± 1

ENWARE RESERVES THE RIGHT TO AMEND PRODUCT SPECIFICATIONS AND DESIGNS WITHOUT NOTICE.

DRAWN	SM	9 Endeavour Rd, Caringbah, NSW, 2229	
CHECKED		Ph. 61-2-9525-9511	
APPROVED		Fax. 61-2-9524-8421	
TITLE: SCHOOL BATH SET W/SP201			
Scale: Not To Scale		Scale: Not To Scale	
MATERIAL:			
FINISH: CHROME PLATED			
This drawing is the Copyright of Enware Australia Pty Ltd and may not be reproduced in full or part without the written consent of Enware Australia Pty Ltd		DWG NO.	SHEET 1 OF 2
		VP314S	

ITEM NO.	PART NUMBER	DESCRIPTION	QTY.
1	880459	SPOUT-BATH 150mm AERATOR	1
2	880505	SPANNER-VANDAL PROOF	1
3	790576	REC. TOP ASSY S/P(COLD)	1
4	790577	REC. TOP ASSY S/P(HOT)	1
5	672009	AERATOR ANTI-VANDAL NE535 FEMALE	1



REV	DATE	CN	AMMENDMENTS	MODIFIED BY
A	06/12/07		FIRST ISSUE	

GENERAL NOTES:
 REMOVE ALL BURRS AND SHARP EDGES UNLESS OTHERWISE STATED
 DIMENSIONS ARE IN mm's

TOLERANCE EXCEPT WHERE STATED:

NO DECIMAL POINT ± 0.2
 ONE DECIMAL PLACE ± 0.1
 TWO DECIMAL PLACES ± 0.05
 ANGLES ± 1

ENWARE RESERVES THE RIGHT TO AMEND PRODUCT SPECIFICATIONS AND DESIGNS WITHOUT NOTICE.

DRAWN	SM	9 Endeavour Rd, Caringbah, NSW, 2229 Ph. 61-2-9525-9511 Fax. 61-2-9524-8421		
CHECKED				
APPROVED				
TITLE: SCHOOL BATH SET W/SP201				
Scale: Not To Scale		Scale: Not To Scale		
MATERIAL:				
FINISH: CHROME PLATED				
<small>This drawing is the Copyright of Enware Australia Pty Ltd and may not be reproduced in full or part without the written consent of Enware Australia Pty Ltd</small>			DWG NO.	SHEET 2 OF 2
			VP314S	