

REV	DATE	CN	AMMENDMENTS	APP
A	02/03/06		FIRST ISSUE	
B	27/07/07		REDRAWN AND REASSEMBLED	

GENERAL NOTES:
 REMOVE ALL BURRS AND SHARP EDGES UNLESS OTHERWISE STATED
 DIMENSIONS ARE IN mm's

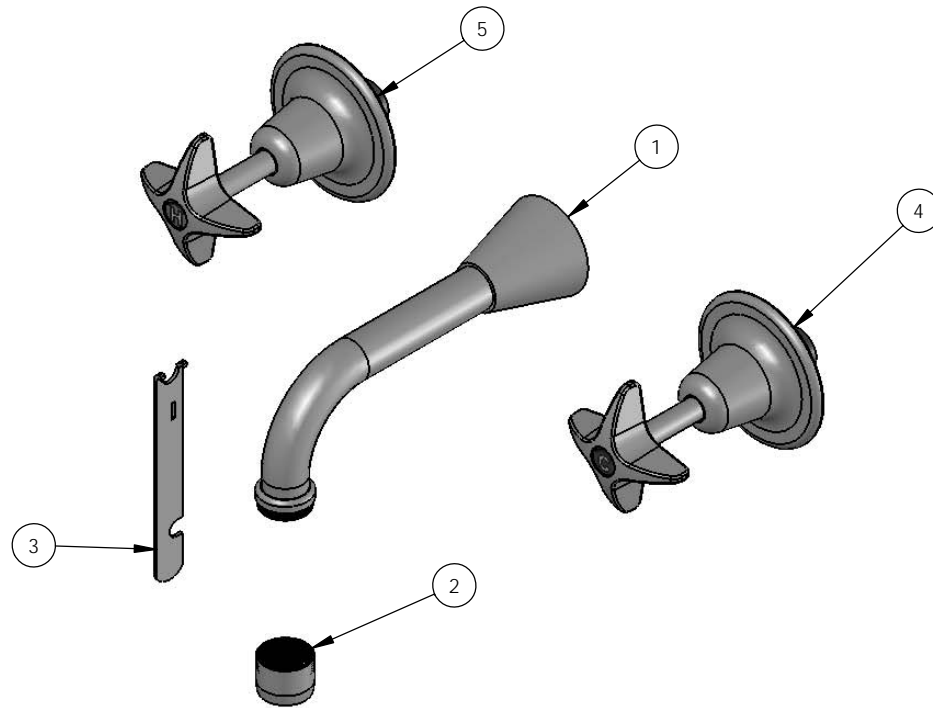
TOLERANCE EXCEPT WHERE STATED:

NO DECIMAL POINT	/ 0.2
ONE DECIMAL PLACE	/ 0.1
TWO DECIMAL PLACES	/ 0.05
ANGLES	/ 1

ENWARE RESERVES THE RIGHT TO AMEND PRODUCT SPECIFICATIONS AND DESIGNS WITHOUT NOTICE.

DRAWN	KN	9 Endeavour Rd, Caringbah, NSW, 2229 Ph. 61-2-9525-9511 Fax. 61-2-9524-8421	
CHECKED	PK		
APPROVED			
TITLE: VP REC/SET W/SP201 F/SPT			
Scale: Not To Scale		Scale: Not To Scale	
MATERIAL:			
FINISH:			
This drawing is the Copyright of Enware Australia Pty Ltd and may not be reproduced in full or part without the written consent of Enware Australia Pty Ltd			DWG NO.
VP314			SHEET 1 OF 2

ITEM NO.	PART NUMBER	DESCRIPTION	QTY.
1	880459	SPOUT-BATH 150mm AERATOR	1
2	672569	AERATOR FEMALE C/P (PERLATOR)	1
3	880505	SPANNER-VANDAL PROOF	1
4	790576	REC. TOP ASSY S/P(COLD)	1
5	790577	REC. TOP ASSY S/P(HOT)	1



REV	DATE	CN	AMMENDMENTS	APP
A	02/03/06		FIRST ISSUE	
B	27/07/07		REDRAWN AND REASSEMBLED	

GENERAL NOTES:
 REMOVE ALL BURRS AND SHARP EDGES UNLESS OTHERWISE STATED
 DIMENSIONS ARE IN mm's

TOLERANCE EXCEPT WHERE STATED:
 NO DECIMAL POINT / 0.2
 ONE DECIMAL PLACE / 0.1
 TWO DECIMAL PLACES / 0.05
 ANGLES / 1

ENWARE RESERVES THE RIGHT TO AMEND PRODUCT SPECIFICATIONS AND DESIGNS WITHOUT NOTICE.

DRAWN	KN	9 Endeavour Rd, Caringbah, NSW, 2229 Ph. 61-2-9525-9511 Fax. 61-2-9524-8421	
CHECKED	PK		
APPROVED			
TITLE: VP REC/SET W/SP201 F/SPT			
Scale: Not To Scale		Scale: Not To Scale	
MATERIAL:			
FINISH:			
This drawing is the Copyright of Enware Australia Pty Ltd and may not be reproduced in full or part without the written consent of Enware Australia Pty Ltd		DWG NO.	SHEET 2 OF 2
		VP314	