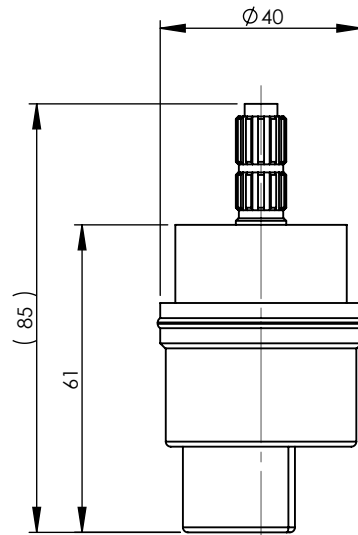
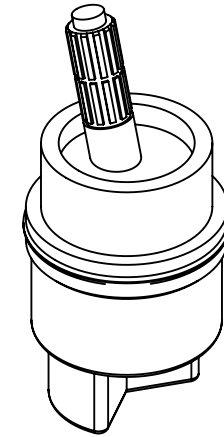
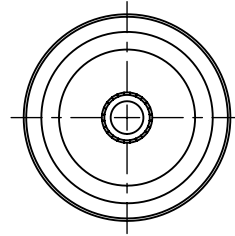


A

B

C

D

**GENERAL NOTES:**

- REMOVE ALL BURRS AND SHARP EDGES UNLESS OTHERWISE STATED
- ALL THREADS TO BE CHAMFERED
- DIMENSIONS ARE IN mm's
- DO NOT SCALE OFF DIMENSIONS

TOLERANCE EXCEPT WHERE STATED:

- NO DECIMAL POINT ∇ 2
- ONE DECIMAL PLACE ∇ 1
- ANGLES ∇ 1°

ENWARE RESERVES THE RIGHT TO AMMEND PRODUCT SPECIFICATIONS AND DESIGNS WITHOUT NOTICE

DRAWN	YK
CHECKED	CL
APPROVED	LR



This drawing is the property of Enware Australia Pty Ltd and may not be reproduced in full or part without the written consent of Enware Australia.



Quality Endorsed Company
AS/NZS ISO 9001
LIC No. 1213
Standards Australia

9 Endeavour Rd,
Caringbah, NSW, 2229
Ph. 61-2-9525-9511
Fax. 61-2-9524-8421

TITLE
ORAS CARTRIDGE

DRAWING NUMBER: **SLMS690**

FINISH:

SIZE: A4

SCALE: 1:1.5

SHEET: 1 OF 2

REVISION

REV.	DATE	ECN	DESCRIPTION	MODIFIED BY
A	19/12/14	3850	FIRST ISSUE	

A

B

C

D

1

2

3

4

1

2

3

4