

REV	DATE	CN	AMMENDMENTS	APP
A	09/08/07		FIRST ISSUE	

**GENERAL NOTES:**  
 REMOVE ALL BURRS AND SHARP EDGES UNLESS OTHERWISE STATED  
 DIMENSIONS ARE IN mm's

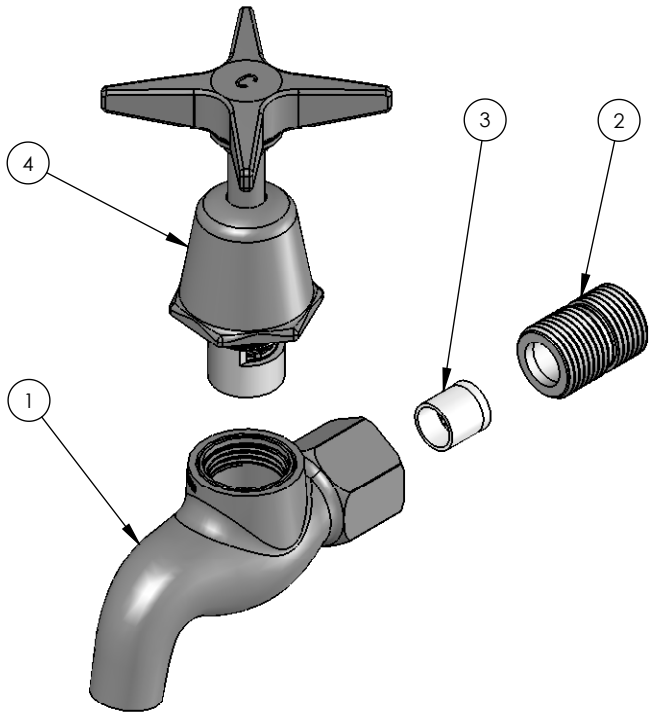
**TOLERANCE EXCEPT WHERE STATED:**

NO DECIMAL POINT  $\pm 0.2$   
 ONE DECIMAL PLACE  $\pm 0.1$   
 TWO DECIMAL PLACES  $\pm 0.05$   
 ANGLES  $\pm 1$

ENWARE RESERVES THE RIGHT TO AMEND PRODUCT SPECIFICATIONS AND DESIGNS WITHOUT NOTICE.

DRAWN	SM	9 Endeavour Rd, Caringbah, NSW, 2229	
CHECKED		Ph. 61-2-9525-9511	
APPROVED		Fax. 61-2-9524-8421	
TITLE: <b>PLAZA Q BIB COCK MI 15MM</b>			
Scale: Not To Scale		Scale: Not To Scale	
MATERIAL: FINISH: <b>CHROME PLATED</b>			
This drawing is the Copyright of Enware Australia Pty Ltd and may not be reproduced in full or part without the written consent of Enware Australia Pty Ltd		DWG NO. <b>PZQ301M</b>	SHEET 1 OF 2

ITEM NO.	PART NUMBER	DESCRIPTION	QTY.
1	880115	COCK-BIB 1/2 FEMALE	1
2	894555	TAIL - BIB COCK MALE	1
3	672442	REG-FLOW CONTROLLER MR01-AG VIC P/COCK	1
4	790322	TOP ASSY PLAZA Q/T PIL/BIB COLD	1



REV	DATE	CN	AMMENDMENTS	APP
A	10/08/07		FIRST ISSUE	

**GENERAL NOTES:**  
 REMOVE ALL BURRS AND SHARP EDGES UNLESS OTHERWISE STATED  
 DIMENSIONS ARE IN mm's

**TOLERANCE EXCEPT WHERE STATED:**

NO DECIMAL POINT     $\pm 0.2$   
 ONE DECIMAL PLACE     $\pm 0.1$   
 TWO DECIMAL PLACES     $\pm 0.05$   
 ANGLES     $\pm 1$

**ENWARE RESERVES THE RIGHT TO AMEND PRODUCT SPECIFICATIONS AND DESIGNS WITHOUT NOTICE.**

DRAWN	SM	9 Endeavour Rd, Caringbah, NSW, 2229 Ph. 61-2-9525-9511 Fax. 61-2-9524-8421		
CHECKED				
APPROVED				
TITLE: <b>PLAZA Q BIB COCK MI 15MM</b>				
Scale: Not To Scale			Scale: Not To Scale	
MATERIAL:				
FINISH: <b>CHROME PLATED</b>				
This drawing is the Copyright of Enware Australia Pty Ltd and may not be reproduced in full or part without the written consent of Enware Australia Pty Ltd			DWG NO.	SHEET 2 OF 2
			<b>PZQ301M</b>	