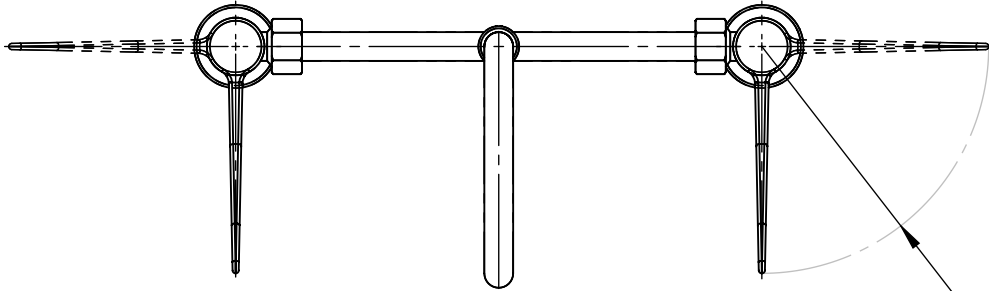
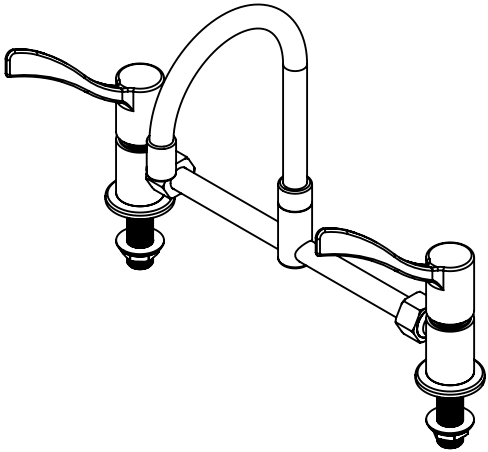


A

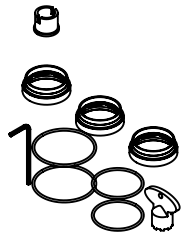
B

C

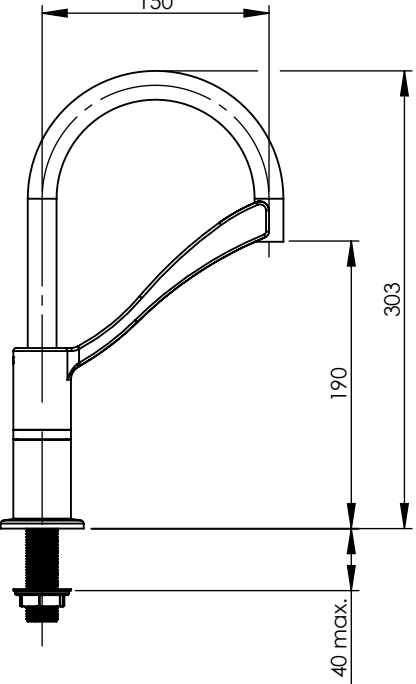
D



R150



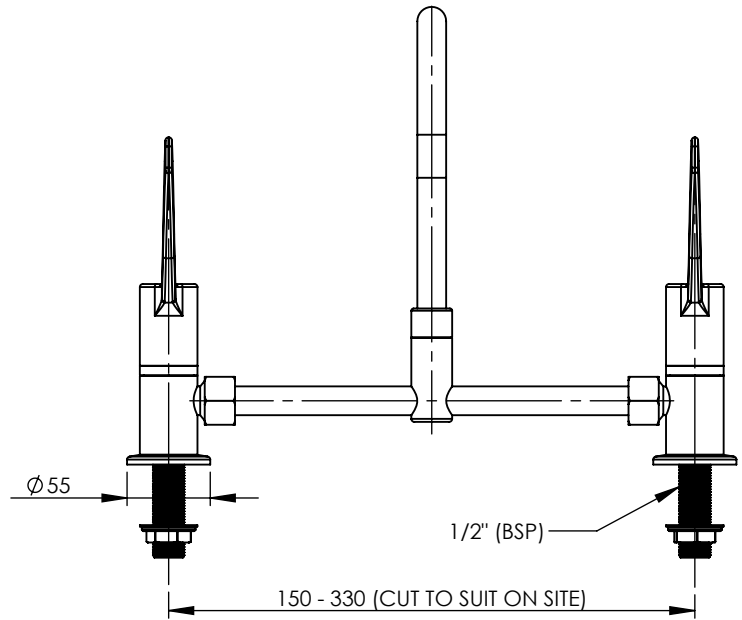
150



303

190

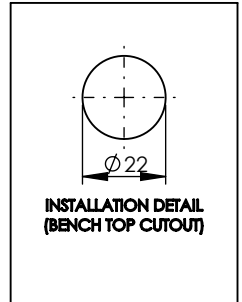
40 max.



Ø55

1/2" (BSP)

150 - 330 (CUT TO SUIT ON SITE)



INSTALLATION DETAIL (BENCH TOP CUTOUT)

D



ENWARE RESERVES THE RIGHT TO AMMEND PRODUCT SPECIFICATIONS AND DESIGNS WITHOUT NOTICE

GENERAL NOTES:

- DIMENSIONS ARE IN mm's
- DO NOT SCALE OFF DIMENSIONS
- TAPWARE TOLERANCE / 2 (EXCEPT WHERE STATED)
- SAFETY SANITARY AND CARE TOLERANCE / 5 (EXCEPT WHERE STATED)

This drawing is the property of Enware Australia Pty Ltd and may not be reproduced in full or part without the written consent of Enware Australia.

DRAWN	TD
CHECKED	RA
APPROVED	CL



9 Endeavour Rd, Caringbah, NSW, 2229 Ph. +61 2 8536 4000 Email: info@enware.com.au

DRAWING NUMBER: LJV150421		REV: B.0
DESCRIPTION: LEVA JHS 150MM T50 HOB MIXING SET		
FINISH: CHROME PLATED	SIZE: A4	SCALE: 1:5

A

B

C

D