

A

B

C

D

1

1

2

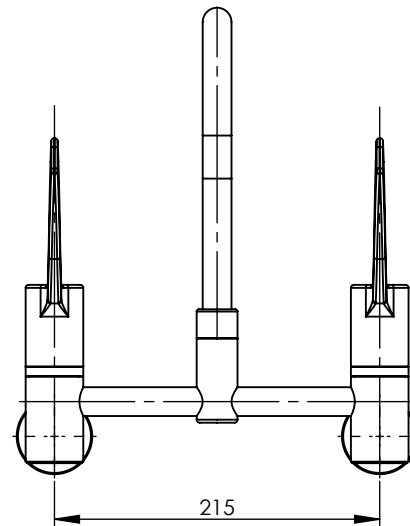
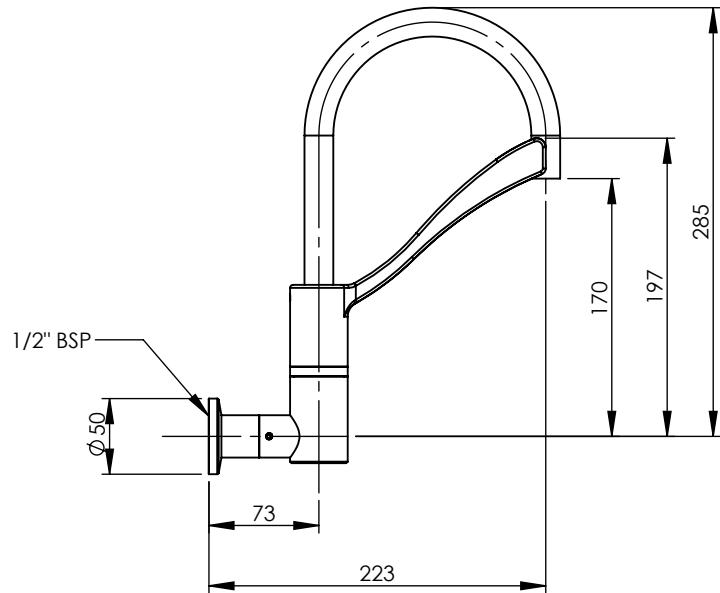
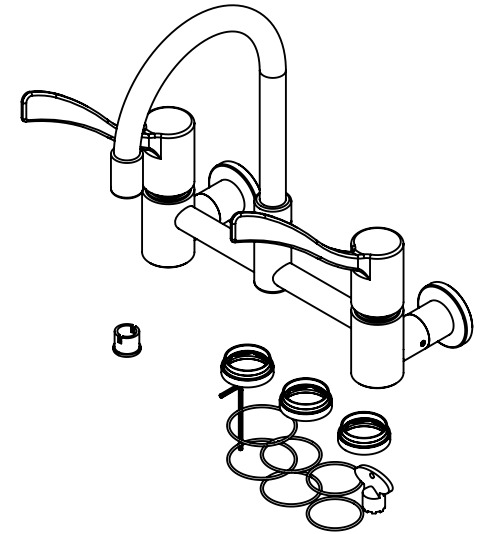
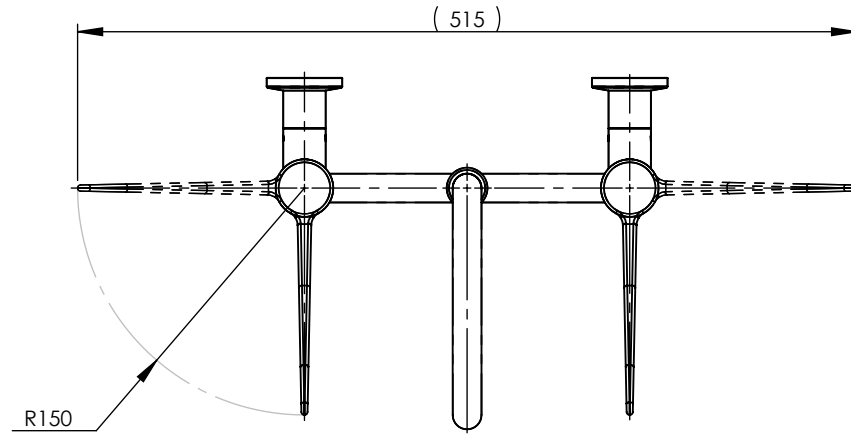
2

3

3

4

4



**GENERAL NOTES:**  
 - DIMENSIONS ARE IN mm's  
 - DO NOT SCALE OFF DIMENSIONS  
 - TAPWARE TOLERANCE / 2 (EXCEPT WHERE STATED )  
 - SAFETY SANITARY AND CARE TOLERANCE / 5 (EXCEPT WHERE STATED )

This drawing is the property of Enware Australia Pty Ltd and may not be reproduced in full or part without the written consent of Enware Australia.

DRAWN	PK
CHECKED	RA
APPROVED	CL



9 Endeavour Rd, Caringbah, NSW, 2229  
 Ph. +61 2 8536 4000  
 Email: info@enware.com.au

DRAWING NUMBER: LJV150402		REV: C-0
DESCRIPTION: LEVA JHS 150MM T 51 WALL MIXING SET		
FINISH: CHROME PLATED	SIZE: A4	SCALE: 1:5

A

B

C

D