

A

B

C

D

1

1

2

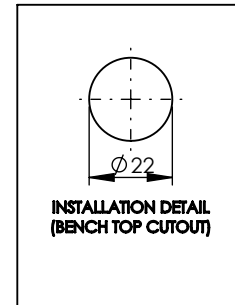
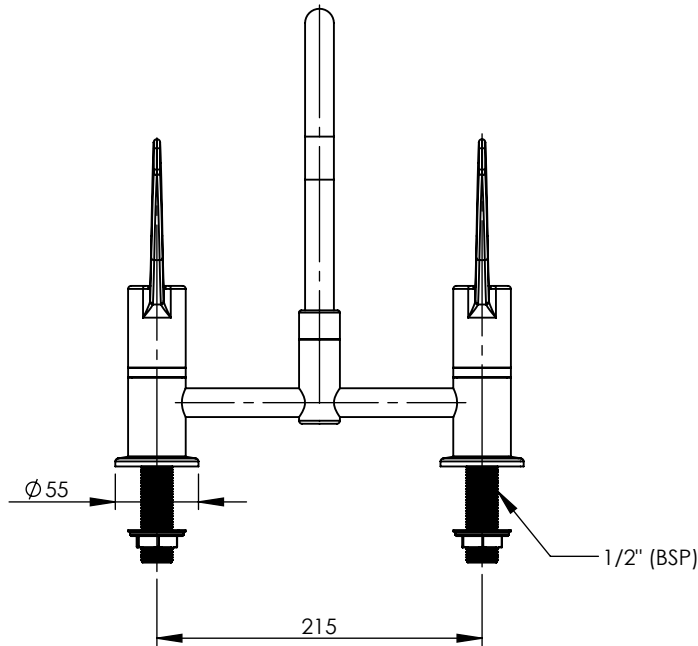
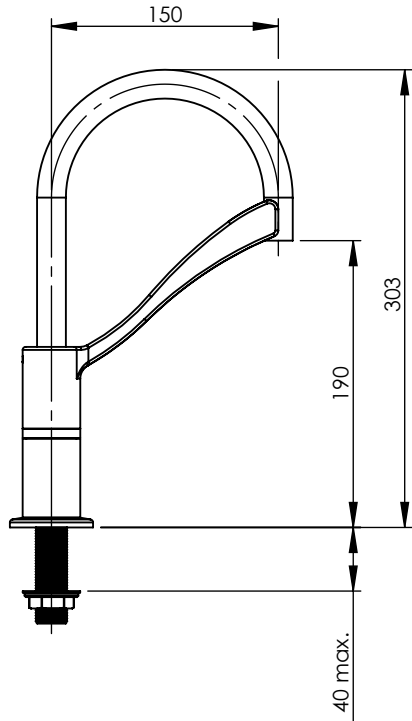
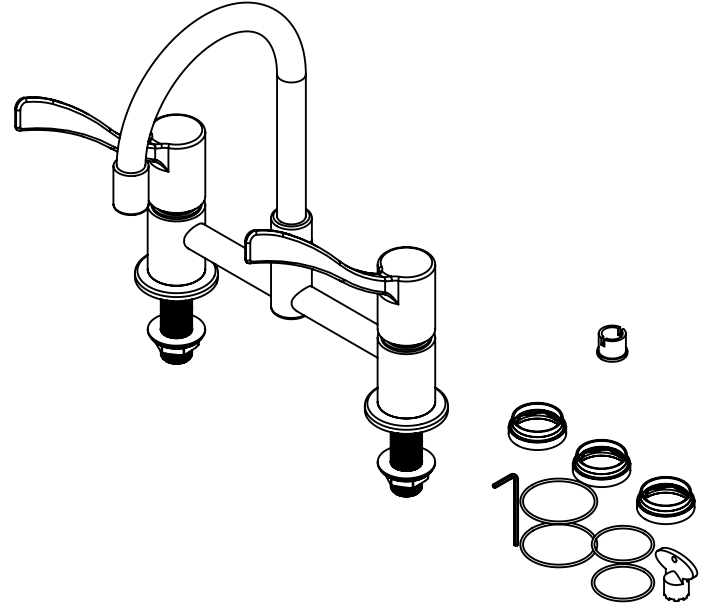
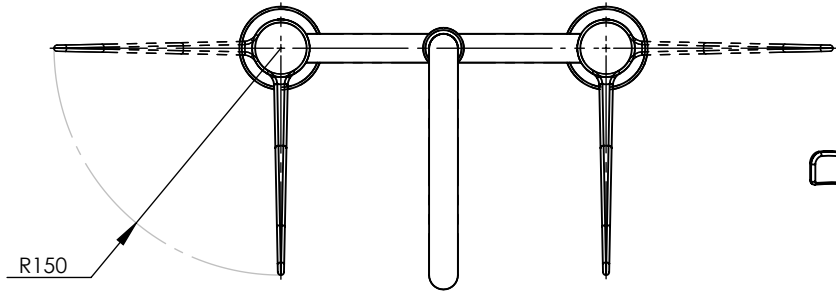
2

3

3

4

4



GENERAL NOTES:
 -- DIMENSIONS ARE IN mm's
 -- DO NOT SCALE OFF DIMENSIONS
 -- TAPWARE TOLERANCE / 2 (EXCEPT WHERE STATED)
 -- SAFETY SANITARY AND CARE TOLERANCE / 5 (EXCEPT WHERE STATED)

This drawing is the property of Enware Australia Pty Ltd and may not be reproduced in full or part without the written consent of Enware Australia.

DRAWN	TD
CHECKED	RA
APPROVED	CL



9 Endeavour Rd, Caringbah, NSW, 2229
 Ph. +61 2 8536 4000
 Email: info@enware.com.au

DRAWING NUMBER: LJV150401	REV: B.0
DESCRIPTION: LEVA JHS 150MM T 50 HOB MIXING SET	
FINISH: CHROME PLATED	SIZE: A4 SCALE: 1:5

A

B

C

D