

A

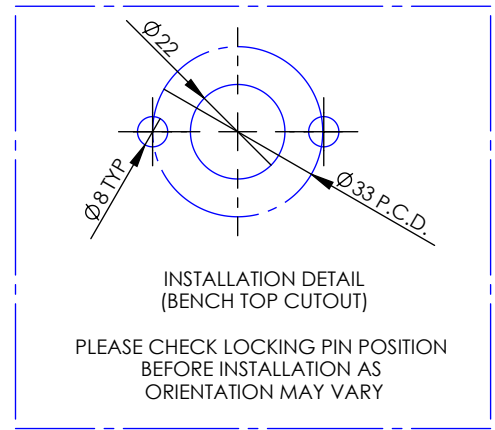
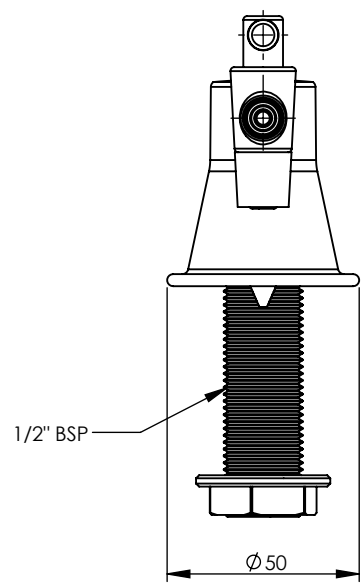
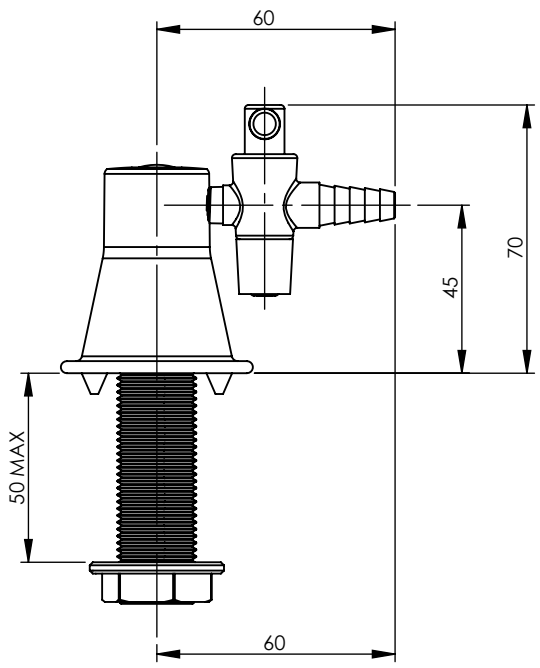
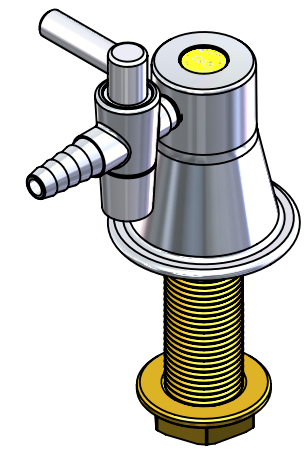
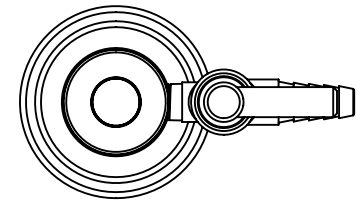
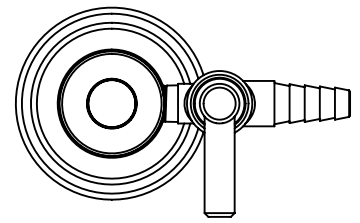
B

C

D

CLOSED POSITION

OPEN POSITION



4

REVISION				
REV.	DATE	ECN	DESCRIPTION	MODIFIED BY
A	02/11/06		FIRST ISSUE	
B	25/02/09		3/8" BSP INTERNAL	SM
C	19/07/11		ADDED CLOSED, OPEN VIEWS ON DRAWING	EK
D	05/11/14	4563	DELETED 3/8" INTERNAL, ADDED P/N 671333 TO BOM	TD

GENERAL NOTES:
 - REMOVE ALL BURRS AND SHARP EDGES UNLESS OTHERWISE STATED
 - ALL THREADS TO BE CHAMFERED
 - DIMENSIONS ARE IN mm's
 - DO NOT SCALE OFF DIMENSIONS

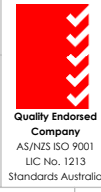
TOLERANCE EXCEPT WHERE STATED:
 NO DECIMAL POINT ∇ 2
 ONE DECIMAL PLACE ∇ 1
 ANGLES ∇ 1°

ENWARE RESERVES THE RIGHT TO AMMEND PRODUCT SPECIFICATIONS AND DESIGNS WITHOUT NOTICE

DRAWN	KN
CHECKED	YK
APPROVED	LR



This drawing is the property of Enware Australia Pty Ltd and may not be reproduced in full or part without the written consent of Enware Australia.



9 Endeavour Rd,
Caringbah, NSW, 2229
Ph. 61-2-9525-9511
Fax. 61-2-9524-8421

TITLE T38 1 WAY GAS TURRET MI 15 7KPA	
DRAWING NUMBER: LF123	
FINISH: CHROME PLATED	
SIZE: A4	SCALE: 1:2
SHEET: 1 OF 2	

A

B

C

D