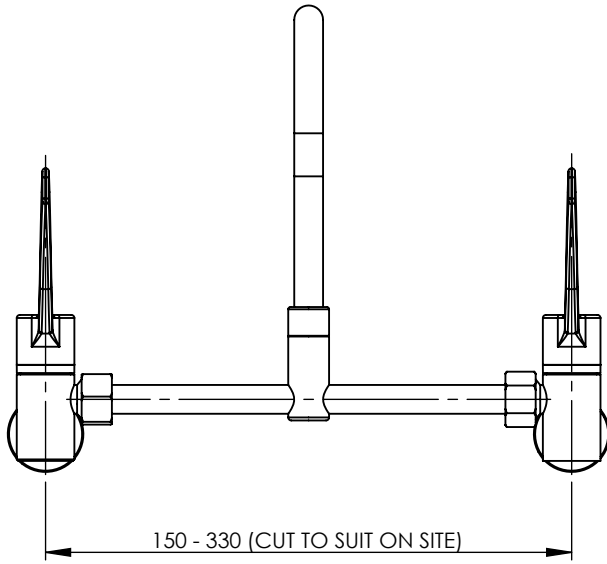
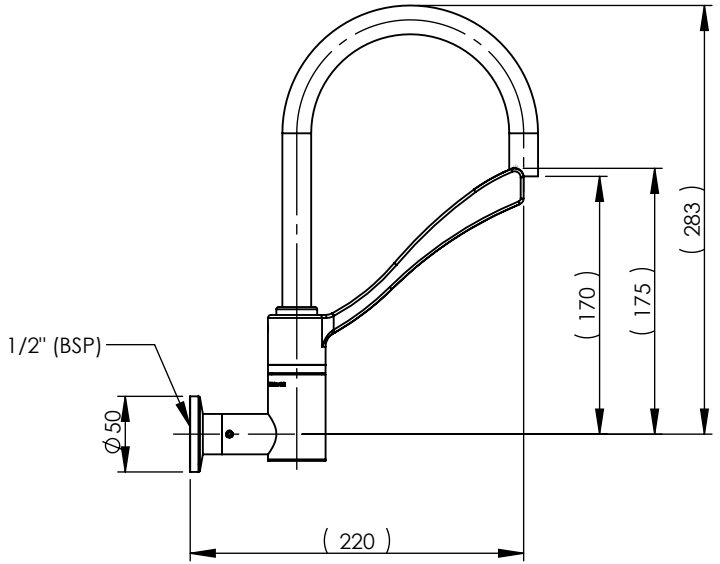
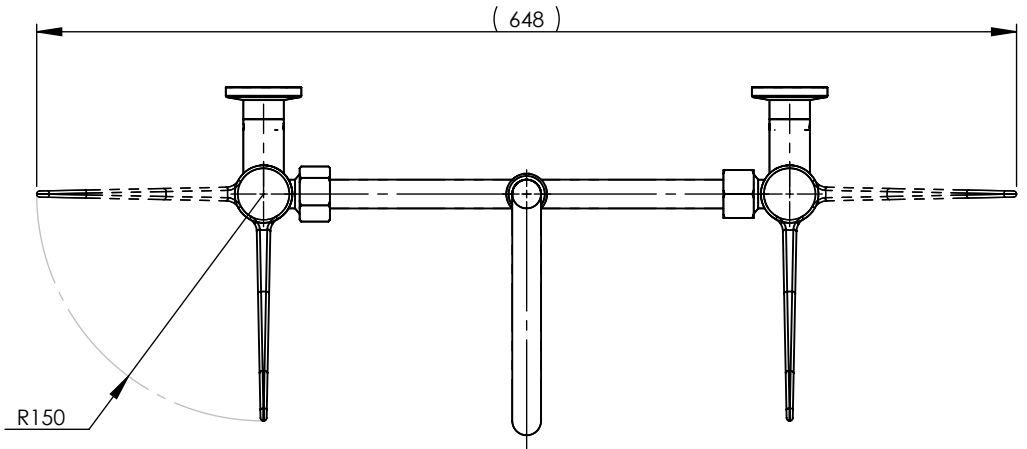
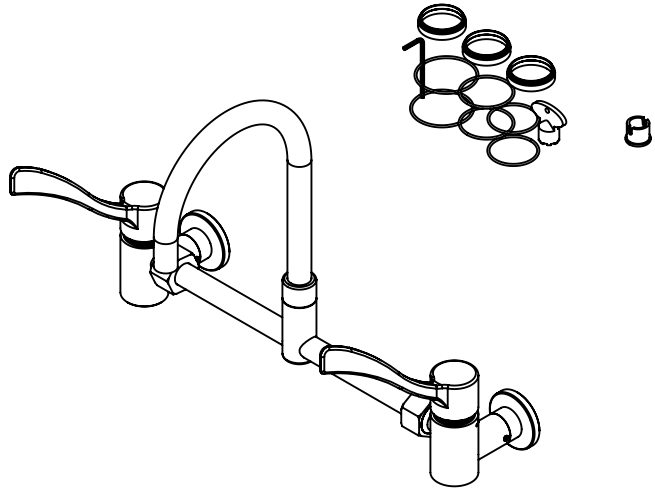


A

B

C

D



GENERAL NOTES:
 - DIMENSIONS ARE IN mm's
 - DO NOT SCALE OFF DIMENSIONS
 - TAPWARE TOLERANCE / 2 (EXCEPT WHERE STATED)
 - SAFETY SANITARY AND CARE TOLERANCE / 5 (EXCEPT WHERE STATED)

This drawing is the property of Enware Australia Pty Ltd and may not be reproduced in full or part without the written consent of Enware Australia.

DRAWN	TD
CHECKED	RA
APPROVED	CL



DRAWING NUMBER: LEV150422		REV: G.0
DESCRIPTION: LEVA 150MM T51 WALL MX SET ADJUSTABLE		
FINISH: CHROME PLATED	SIZE: A4	SCALE: 1:5

A

B

C

D