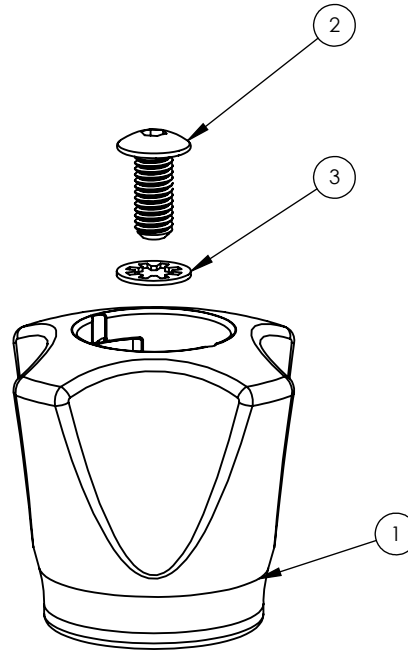


ITEM NO.	PART NUMBER	DESCRIPTION	QTY.
1	886640	HANDLE LCN GREEN EPOXY	1
2	891458	SCREW M5X12 BUT S/S 304 SOC HD LOCTITE	1
3	672593	WASHER-M5 INT TOOTH 304 S/S	1




SUPPLIED AS GREEN STANDARD, CLIENT TO SPECIFY IF OTHER COLOUR REQUIRED

REV	DATE	CN	AMMENDMENTS	MODIFIED BY
A	11/4/12		FIRST ISSUE	

GENERAL NOTES:
 REMOVE ALL BURRS AND SHARP EDGES UNLESS OTHERWISE STATED
 DIMENSIONS ARE IN mm's

TOLERANCE EXCEPT WHERE STATED:

NO DECIMAL POINT \pm 0.2
 ONE DECIMAL PLACE \pm 0.1
 TWO DECIMAL PLACES \pm 0.05
 ANGLES \pm 1

DRAWN	AC	9 Endeavour Rd,	
CHECKED	-	Caringbah, NSW, 2229	
APPROVED	-	Ph. 61-2-9525-9511	
		Fax. 61-2-9524-8421	

TITLE: **HANDLE ONLY TO SUIT LCN**

Scale: Not To Scale

MATERIAL:

FINISH:

This drawing is the Copyright of Enware Australia Pty Ltd and may not be reproduced in full or part without the written consent of Enware Australia Pty Ltd

DWG NO.

LCN191

SHEET 1 OF 1