

A

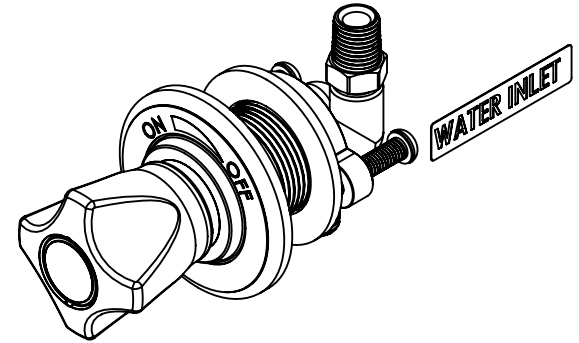
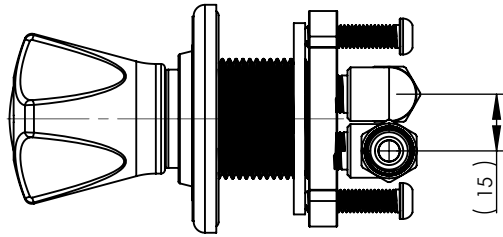
B

C

D

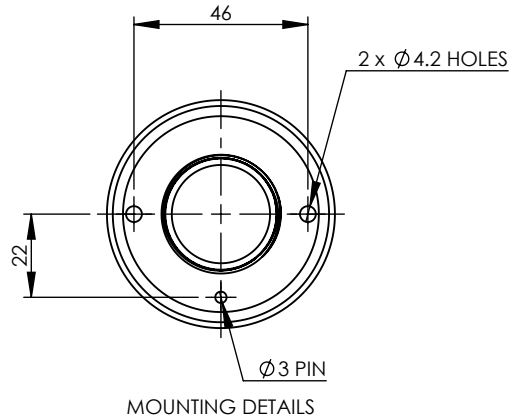
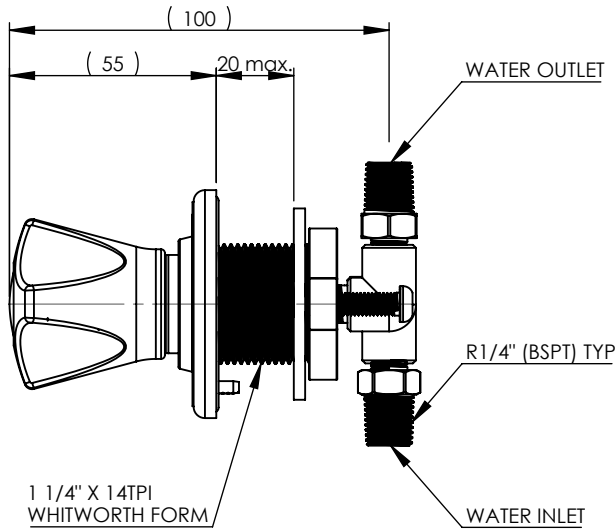
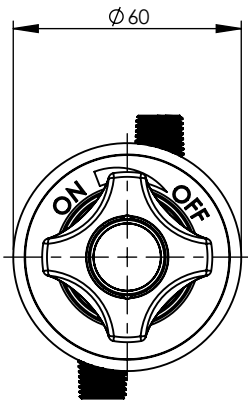
1

1



2

2



3

3

4

4

**GENERAL NOTES:**  
 - REMOVE ALL BURRS AND SHARP EDGES UNLESS OTHERWISE STATED  
 - ALL THREADS TO BE CHAMFERED  
 - DIMENSIONS ARE IN mm's  
 - DO NOT SCALE OFF DIMENSIONS

DRAWN	YK
CHECKED	YK
APPROVED	CL



9 Endeavour Rd,  
 Caringbah, NSW, 2229  
 Ph. 61-2-9525-9511  
 Fax. 61-2-9524-8421



This drawing is the property of Enware Australia Pty Ltd and may not be reproduced in full or part without the written consent of Enware Australia.



TITLE  
**LCN FPV PTT ELBOW 1/4 BSPT**

DRAWING NUMBER: **LCN153BM**

FINISH:	SIZE: A4	SCALE: 1:2	SHEET: 1 OF 3
---------	----------	------------	---------------

REVISION

REV.	DATE	ECN	DESCRIPTION	MODIFIED BY
A	27/11/14	4559	FIRST ISSUE	
B	02/03/15	4719	DELETED 372295	TD

**TOLERANCE EXCEPT WHERE STATED:**  
 NO DECIMAL POINT    ∕ 2  
 ONE DECIMAL PLACE   ∕ 1  
 ANGLES                    ∕ 1°

ENWARE RESERVES THE RIGHT TO AMMEND PRODUCT SPECIFICATIONS AND DESIGNS WITHOUT NOTICE

A

B

C

D

A

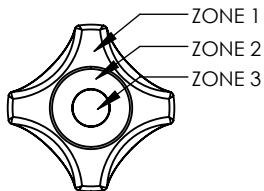
B

C

D

## COLOUR CHART

MEDIA					ZONE 1	ZONE 2	ZONE 3
<b>WATER</b>							
	1/4" BSP MALE	QUICK CONNECT INLET	1/4" BSP MALE	QUICK CONNECT INLET			
	CERAMIC VALVE	CERAMIC VALVE	NEEDLE VALVE	NEEDLE VALVE			
COLD WATER	LCN153MCWH2O	LCN153QCWH2O	LCN153NMCWH2O	LCN153NQCWH2O	GREEN	GREEN	BLUE
HOT WATER	LCN153MHW2O	LCN153QHWH2O	LCN153NMHW2O	LCN153NQHWH2O	GREEN	GREEN	RED
CHILLED WATER	LCN153MCHWH2O	LCN153QCHWH2O	LCN153NMCHWH2O	LCN153NQCHWH2O	GREEN	BLUE	BLUE
<b>GAS</b>							
			NEEDLE VALVE	NEEDLE VALVE			
ARGON	-	-	LCN153NMAR	LCN153NQAR	BLUE	GREY	GREY
CARBOGEN	-	-	LCN153NMCB	LCN153NQCB	BLUE	BLACK	BLUE
CARBON DIOXIDE	-	-	LCN153NMCO2	LCN153NQCO2	BLUE	BLUE	BLACK
COMPRESS AIR	-	-	LCN153NMAIR	LCN153NQAIR	BLUE	BLUE	YELLOW
HELIUM	-	-	LCN153NMH5	LCN153NQH5	BLUE	GREY	WHITE
HYDROGEN	-	-	LCN153NMH2	-	RED	RED	RED
NITROGEN	-	-	LCN153NMN2	LCN153NQN2	BLUE	GREEN	GREEN
NITROUS OXIDE	-	-	LCN153NMN2O	-	BLUE	GREEN	BLUE
OXYGEN	-	-	LCN153NMO2	-	BLUE	BLUE	BLUE
VACUUM	-	-	LCN153NMVAC	LCN153NQVAC	GREY	GREY	GREY
<b>BURNING GASES</b>							
	PUSH TO TURN CERAMIC		NEEDLE VALVE				
ACETYLENE	LCN153BMC2H2	-	LCN153NMC2H2	-	YELLOW	WHITE	GREEN
BUTANE	LCN153BMC4H10	-	LCN153NMC4H10	-	YELLOW	BLUE	BLUE
ETHENE	LCN153BMC2H4	-	LCN153NMC2H4	-	YELLOW	BLACK	GREEN
LPG	LCN153BMLPG		LCN153BMLPG		YELLOW	RED	YELLOW
METHANE	LCN153BMCH4	-	LCN153NMCH4	-	YELLOW	BLUE	YELLOW
NATURAL GAS	LCN153BMGAS	-	LCN153NMGAS	-	YELLOW	YELLOW	YELLOW
PROPANE	LCN153BMC3H8	-	LCN153BMC3H8	-	YELLOW	BLUE	RED



CLIENT TO SPECIFY MEDIA TYPE

## GENERAL NOTES:

- REMOVE ALL BURRS AND SHARP EDGES UNLESS OTHERWISE STATED
- ALL THREADS TO BE CHAMFERED
- DIMENSIONS ARE IN mm's
- DO NOT SCALE OFF DIMENSIONS

## TOLERANCE EXCEPT WHERE STATED:

- NO DECIMAL POINT  $\pm 0.2$
- ONE DECIMAL PLACE  $\pm 0.1$
- ANGLES  $\pm 1^\circ$

ENWARE RESERVES THE RIGHT TO AMMEND PRODUCT SPECIFICATIONS AND DESIGNS WITHOUT NOTICE

DRAWN	YK
CHECKED	YK
APPROVED	CL



This drawing is the property of Enware Australia Pty Ltd and may not be reproduced in full or part without the written consent of Enware Australia.



9 Endeavour Rd,  
Caringbah, NSW, 2229  
Ph. 61-2-9525-9511  
Fax. 61-2-9524-8421



TITLE  
**TOP ASSY VITON NEEDLE SLIM**

DRAWING NUMBER: **LCN153BM**

FINISH:

SIZE: A4

SCALE: 1:3

SHEET: 2 OF 3

## REVISION

REV.	DATE	ECN	DESCRIPTION	MODIFIED BY
A	27/11/14	4559	FIRST ISSUE	
B	02/03/15	4719	DELETED 372295	TD

A

B

C

D