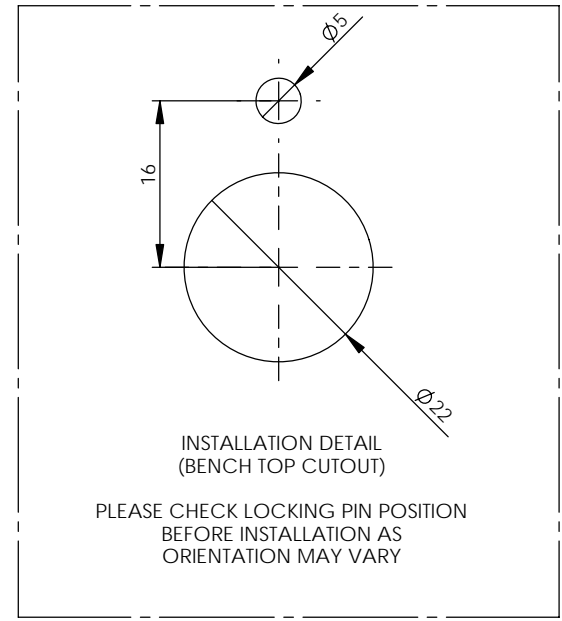
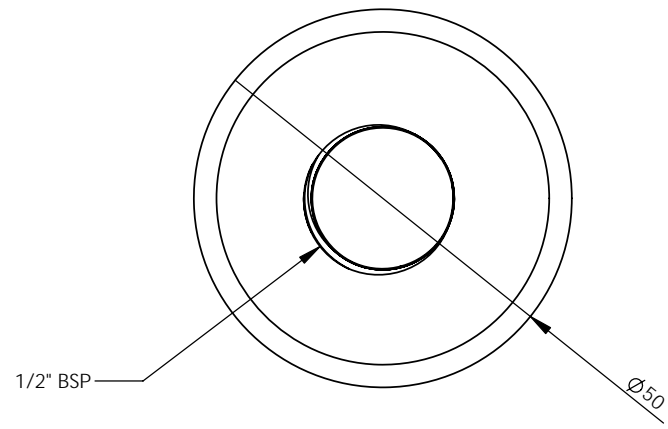
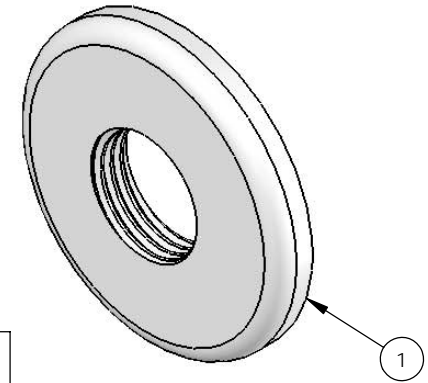
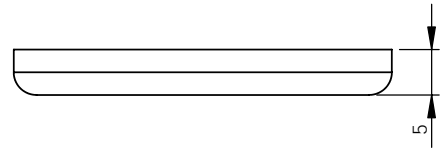


| ITEM NO. | PART NUMBER | DESCRIPTION | QTY. |
|----------|-------------|------------------|------|
| 1 | 887093 | BASE 1/2BSP SLIM | 1 |



| REV | DATE | CN | AMMENDMENTS | APP |
|-----|----------|----|-------------|-----|
| A | 05/10/06 | | FIRST ISSUE | |
| | | | | |
| | | | | |
| | | | | |
| | | | | |

GENERAL NOTES:
 REMOVE ALL BURRS AND SHARP EDGES UNLESS OTHERWISE STATED
 DIMENSIONS ARE IN mm's

TOLERANCE EXCEPT WHERE STATED:

NO DECIMAL POINT / 0.2
 ONE DECIMAL PLACE / 0.1
 TWO DECIMAL PLACES / 0.05
 ANGLES / 1

ENWARE RESERVES THE RIGHT TO AMEND PRODUCT SPECIFICATIONS AND DESIGNS WITHOUT NOTICE.

| | | | |
|---|----|--|----------------------|
| DRAWN | KN | 9 Endeavour Rd, Caringbah, NSW, 2229 Ph. 61-2-9525-9511 Fax. 61-2-9524-8421 | |
| CHECKED | | | |
| APPROVED | | | |
| TITLE: STANDARD BASE COLOUR CODED | | | |
| Scale: Not To Scale | | Scale: Not To Scale | |
| MATERIAL: | | | |
| FINISH: | | | |
| This drawing is the Copyright of Enware Australia Pty Ltd and may not be reproduced in full or part without the written consent of Enware Australia Pty Ltd | | | DWG NO. LC186 |
| | | | SHEET 1 OF 1 |