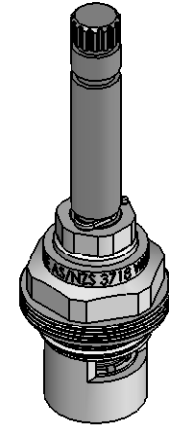
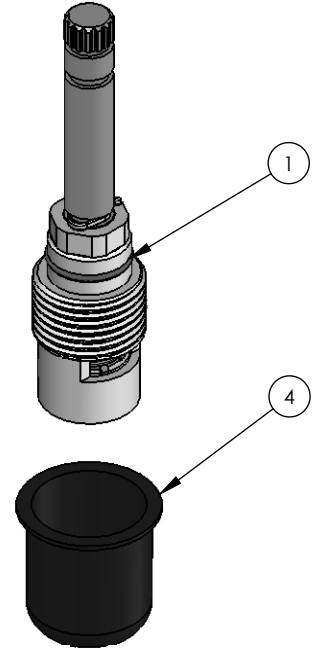
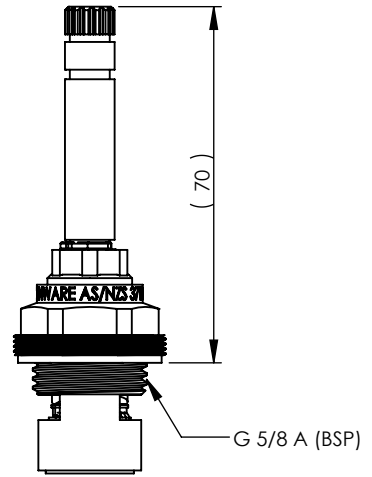
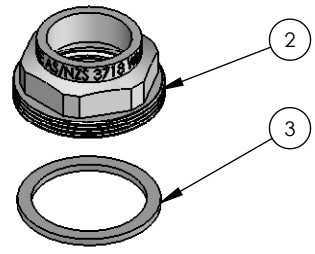
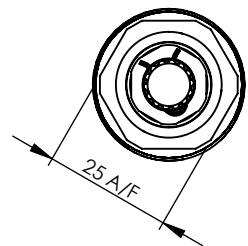


ITEM NO.	PART NUMBER	DESCRIPTION	QTY.
1	891398	Q/TURN 2L 92mm CP 11008.092A00.2	1
2	891296	LOCKNUT 2L 14MM-26TPI 580.2276.14.E	1
3	672590	WASHER - RED FIBRE 28.5 X 23 X 1.5MM SBA	1
4	891132	CAP 2L PLASTIC BLUE	1



REV	DATE	CN	AMMENDMENTS	APP
A	06/06/07		FIRST ISSUE	

GENERAL NOTES:
 REMOVE ALL BURRS AND SHARP EDGES UNLESS OTHERWISE STATED
 DIMENSIONS ARE IN mm's
 TOLERANCE EXCEPT WHERE STATED:
 NO DECIMAL POINT ± 0.2
 ONE DECIMAL PLACE ± 0.1
 TWO DECIMAL PLACES ± 0.05
 ANGLES ± 1

ENWARE RESERVES THE RIGHT TO AMEND PRODUCT SPECIFICATIONS AND DESIGNS WITHOUT NOTICE.

DRAWN	KN	9 Endeavour Rd, Caringbah, NSW, 2229 Ph. 61-2-9525-9511 Fax. 61-2-9524-8421	
CHECKED	PK		
APPROVED			
TITLE: INS Q BIB/PIL SBA			
Scale: Not To Scale		Scale: Not To Scale	
MATERIAL:			
FINISH:			
This drawing is the Copyright of Enware Australia Pty Ltd and may not be reproduced in full or part without the written consent of Enware Australia Pty Ltd		DWG NO.	SHEET 1 OF 1
		INQ380	