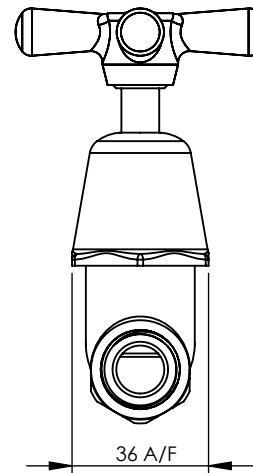
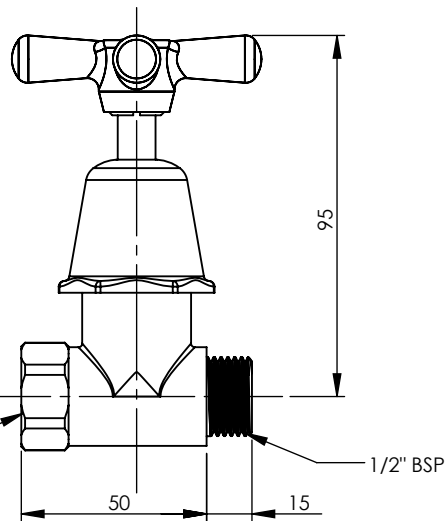
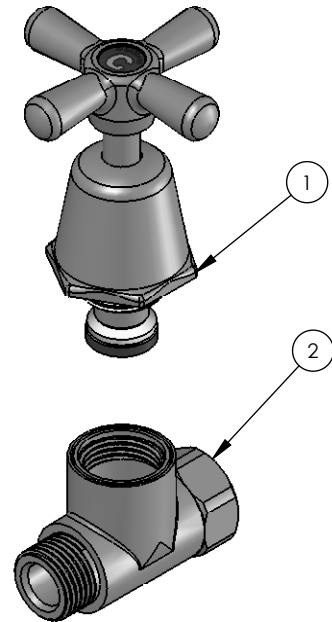
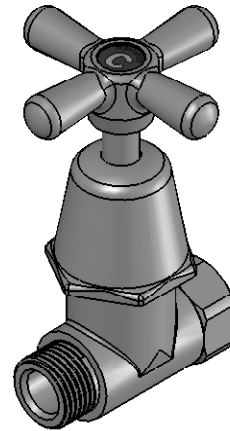
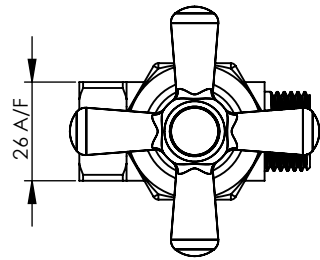


| ITEM NO. | PART NUMBER | DESCRIPTION | QTY. |
|----------|-------------|--|------|
| 1 | 790644 | TOP ASSY BIB/PIL INSTIT COLD REMOVABLE | 1 |
| 2 | 880128 | COCK-STOP 15MM M&F | 1 |



| REV | DATE | CN | AMMENDMENTS | APP |
|-----|----------|----|-------------|-----|
| A | 30/05/07 | | FIRST ISSUE | |
| | | | | |
| | | | | |
| | | | | |
| | | | | |

GENERAL NOTES:
 REMOVE ALL BURRS AND SHARP EDGES UNLESS OTHERWISE STATED
 DIMENSIONS ARE IN mm's
 TOLERANCE EXCEPT WHERE STATED:
 NO DECIMAL POINT ± 0.2
 ONE DECIMAL PLACE ± 0.1
 TWO DECIMAL PLACES ± 0.05
 ANGLES ± 1

ENWARE RESERVES THE RIGHT TO AMEND PRODUCT SPECIFICATIONS AND DESIGNS WITHOUT NOTICE.

| | | | |
|---|----|--|--------------|
| DRAWN | KN | 9 Endeavour Rd, Caringbah, NSW, 2229 Ph. 61-2-9525-9511 Fax. 61-2-9524-8421 | |
| CHECKED | PK | | |
| APPROVED | | | |
| TITLE: INSTIT STOP COCK M&F 15MM | | | |
| Scale: Not To Scale | | Scale: Not To Scale | |
| MATERIAL: | | | |
| FINISH: | | | |
| This drawing is the Copyright of Enware Australia Pty Ltd and may not be reproduced in full or part without the written consent of Enware Australia Pty Ltd | | DWG NO. IN344 | SHEET 1 OF 1 |