

A

B

C

D

1

1

2

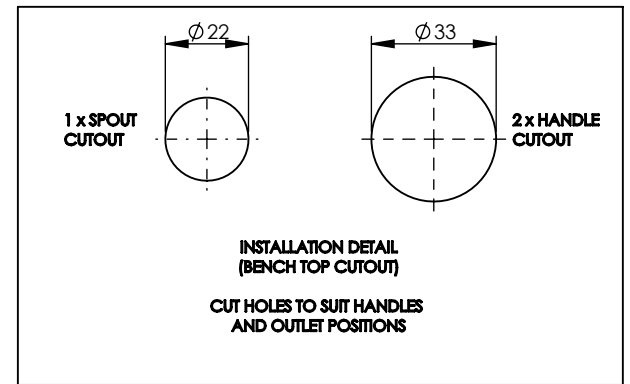
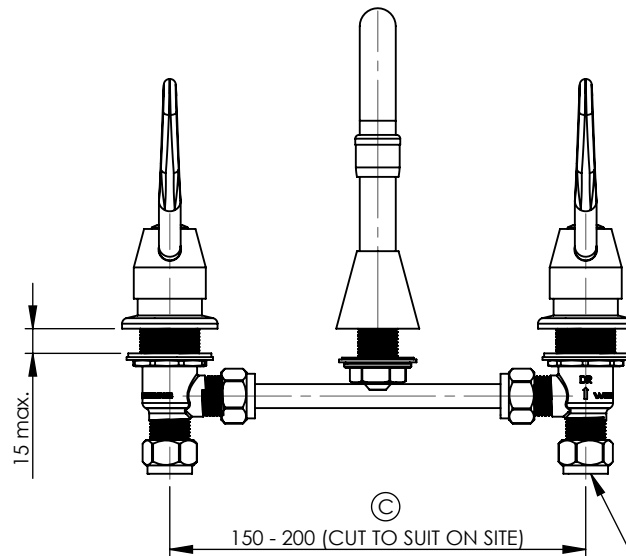
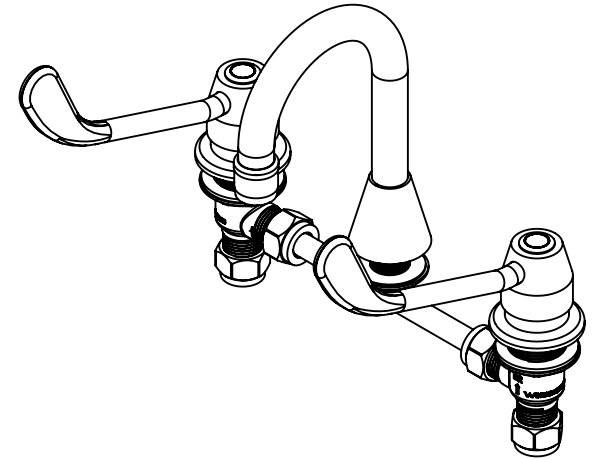
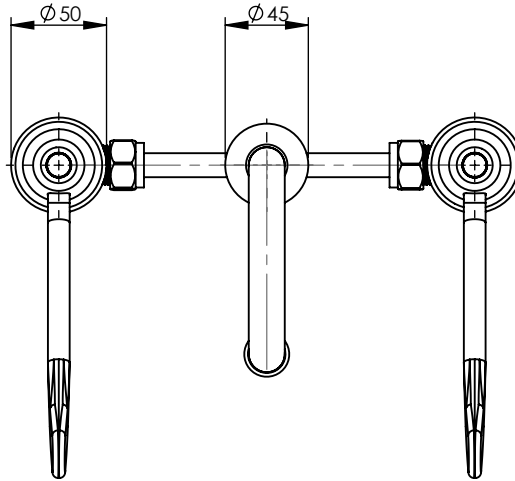
2

3

3

4

4



G1/2" (BSP) WITH OLIVE COMPRESSION FITTING

GENERAL NOTES:
 - REMOVE ALL BURRS AND SHARP EDGES UNLESS OTHERWISE STATED
 - ALL THREADS TO BE CHAMFERED
 - DIMENSIONS ARE IN mm's
 - DO NOT SCALE OFF DIMENSIONS

TOLERANCE EXCEPT WHERE STATED:
 NO DECIMAL POINT ± 0.2
 ONE DECIMAL PLACE ± 0.1
 ANGLES $\pm 1^\circ$

ENWARE RESERVES THE RIGHT TO AMMEND PRODUCT SPECIFICATIONS AND DESIGNS WITHOUT NOTICE

DRAWN BD
 CHECKED CL
 APPROVED LR



This drawing is the property of Enware Australia Pty Ltd and may not be reproduced in full or part without the written consent of Enware Australia.



9 Endeavour Rd,
 Caringbah, NSW, 2229
 Ph. 61-2-9525-9511
 Fax. 61-2-9524-8421



TITLE
LVR 150 BASIN SET W/SPO01

DRAWING NUMBER: **HOS306**

FINISH: CHROME PLATED

SIZE: A4

SCALE: 1:4

SHEET: 1 OF 2

REVISION

REV.	DATE	ECN	DESCRIPTION	MODIFIED BY
A	13/12/05		FIRST ISSUE	
B	22/10/07		REDRAWN	SM
C	7/11/14	4552	150 - 200 WAS 150 - 250	YK

A

B

C

D