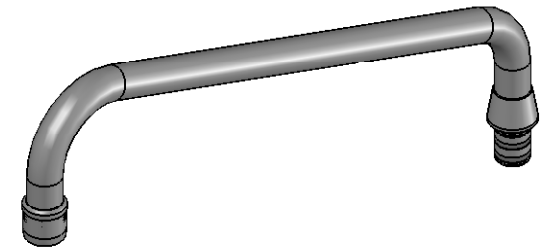
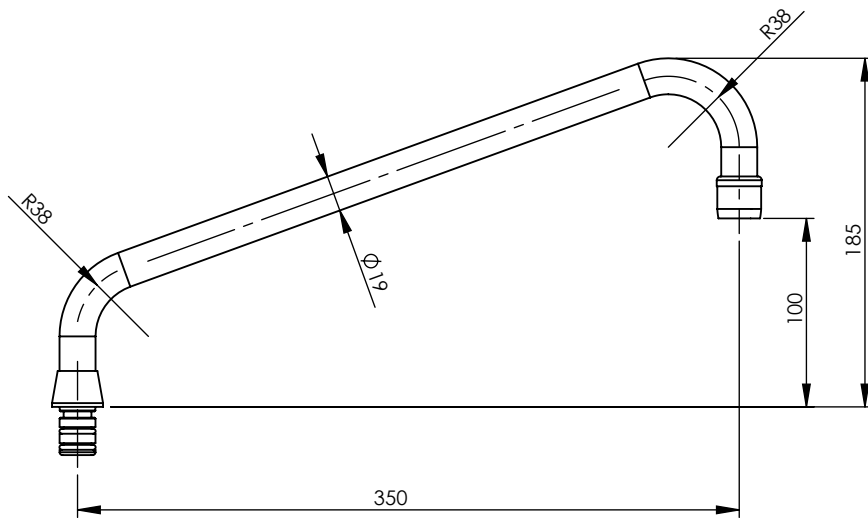
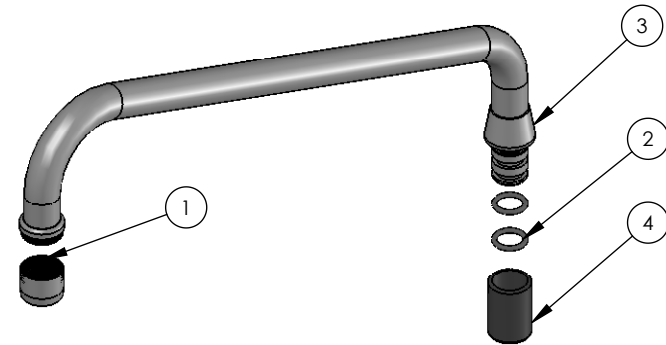
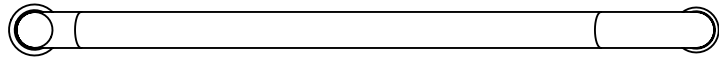


ITEM NO.	PART NUMBER	DESCRIPTION	QTY.
1	672569	AERATOR FEMALE C/P (PERLATOR)	1
2	672350	ORING BS 113	2
3	881498	SPOUT MCDONALDS 350MM	1
4	672118	CAP 19 X 30mm PT SERIES (BLACK)FOR SPOUT	1



REV	DATE	CN	AMMENDMENTS	MODIFIED BY
A	04/11/08		FIRST ISSUE	

**GENERAL NOTES:**  
 REMOVE ALL BURRS AND SHARP EDGES UNLESS OTHERWISE STATED  
 DIMENSIONS ARE IN mm's

**TOLERANCE EXCEPT WHERE STATED:**

NO DECIMAL POINT     $\pm 0.2$   
 ONE DECIMAL PLACE     $\pm 0.1$   
 TWO DECIMAL PLACES     $\pm 0.05$   
 ANGLES     $\pm 1$

**ENWARE RESERVES THE RIGHT TO AMEND PRODUCT SPECIFICATIONS AND DESIGNS WITHOUT NOTICE.**

DRAWN	SM	9 Endeavour Rd, Caringbah, NSW, 2229 Ph. 61-2-9525-9511 Fax. 61-2-9524-8421	
CHECKED			
APPROVED			
TITLE: <b>SWIVEL SPOUT - REACH 350MM</b>			
Scale: Not To Scale		Scale: Not To Scale	
MATERIAL:			
FINISH: <b>CHROME PLATED</b>			
This drawing is the Copyright of Enware Australia Pty Ltd and may not be reproduced in full or part without the written consent of Enware Australia Pty Ltd		DWG NO. <b>FS708</b>	SHEET 1 OF 1