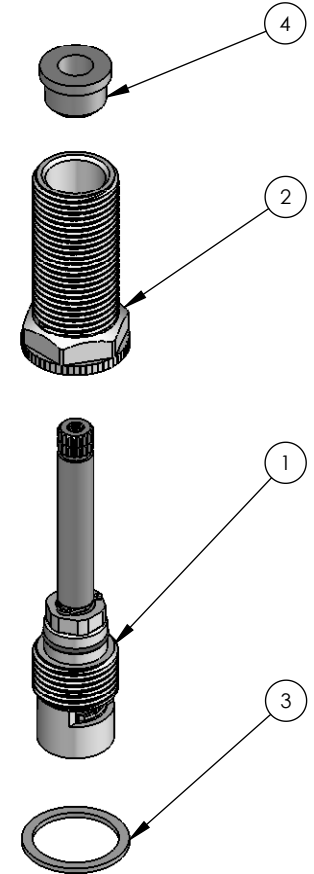
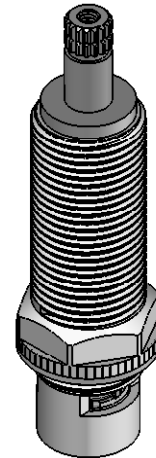
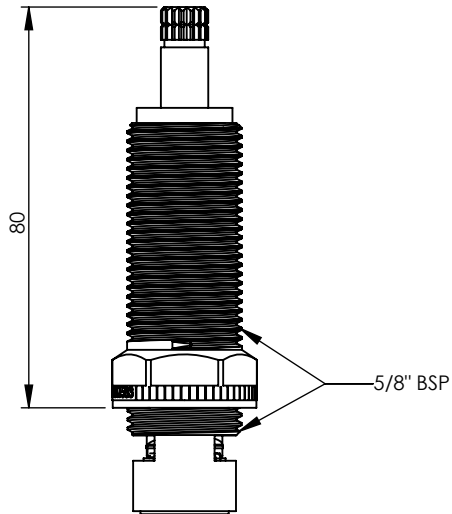
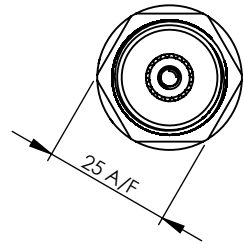


ITEM NO.	PART NUMBER	DESCRIPTION	QTY.
1	891402	Q/TURN 2L 100mm PL 516.111.100.2 RAYMOR	1
2	891292	LOCKNUT 2L 5/8 INCH BSP 55mm	1
3	672590	WASHER - RED FIBRE 28.5 X 23 X 1.5MM SBA	1
4	693089	BUSH - FRICTION Q/TURN 2L	1



REV	DATE	CN	AMMENDMENTS	MODIFIED BY
A	27/02/08		FIRST ISSUE	

**GENERAL NOTES:**  
 REMOVE ALL BURRS AND SHARP EDGES UNLESS OTHERWISE STATED  
 DIMENSIONS ARE IN mm's

**TOLERANCE EXCEPT WHERE STATED:**

NO DECIMAL POINT	± 0.2
ONE DECIMAL PLACE	± 0.1
TWO DECIMAL PLACES	± 0.05
ANGLES	± 1

**ENWARE RESERVES THE RIGHT TO AMEND PRODUCT SPECIFICATIONS AND DESIGNS WITHOUT NOTICE.**

DRAWN	SM	9 Endeavour Rd, Caringbah, NSW, 2229 Ph. 61-2-9525-9511 Fax. 61-2-9524-8421		
CHECKED				
APPROVED				
TITLE: <b>EXPO 20MM EXT RECESS SBA</b>				
Scale: Not To Scale		Scale: Not To Scale		
MATERIAL:				
FINISH:				
This drawing is the Copyright of Enware Australia Pty Ltd and may not be reproduced in full or part without the written consent of Enware Australia Pty Ltd			DWG NO.	SHEET 1 OF 1
			<b>EX384</b>	