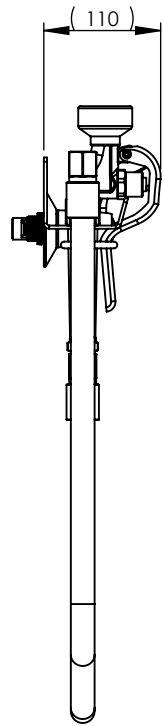


A

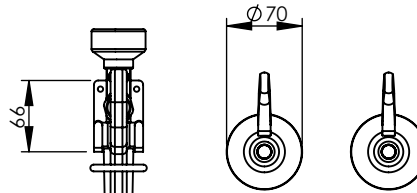
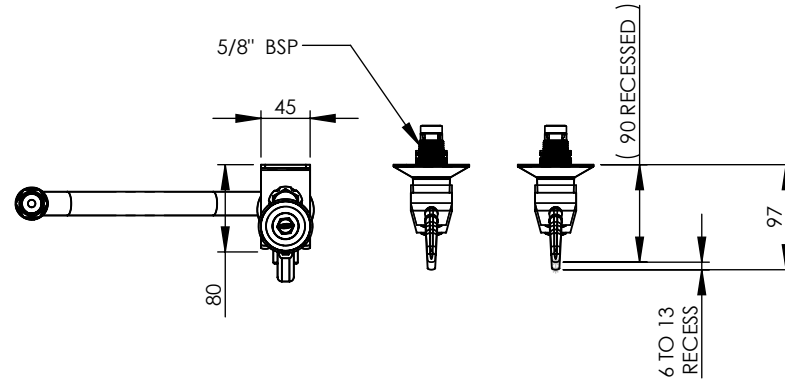
B

C

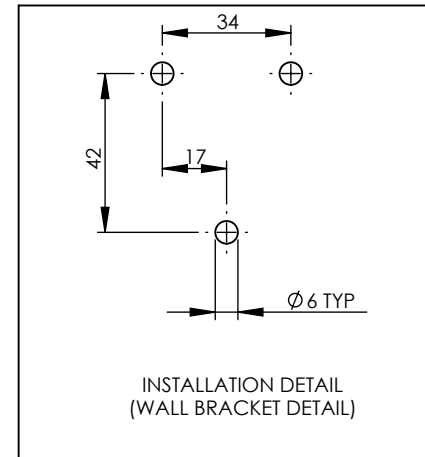
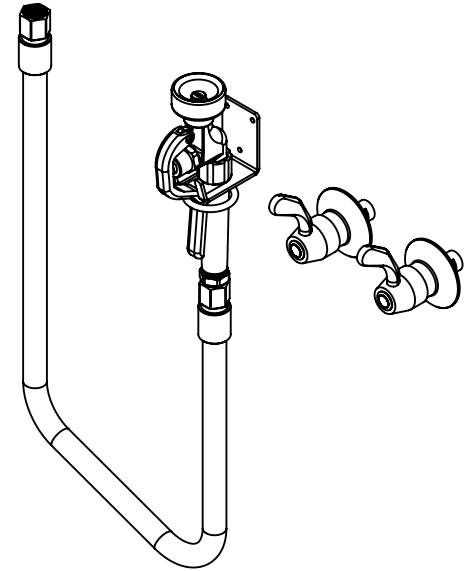
D



1/2" BSP



1m LONG HOSE



Quality Endorsed Company
AS/NZS ISO 9001
LIC No. 1213
Standards Australia
ENWARE RESERVES THE RIGHT TO AMMEND PRODUCT SPECIFICATIONS AND DESIGNS WITHOUT NOTICE

GENERAL NOTES:
- DIMENSIONS ARE IN mm's
- DO NOT SCALE OFF DIMENSIONS
- TAPWARE TOLERANCE ± 0.2 (EXCEPT WHERE STATED)
- SAFETY SANITARY AND CARE TOLERANCE ± 0.5 (EXCEPT WHERE STATED)

This drawing is the property of Enware Australia Pty Ltd and may not be reproduced in full or part without the written consent of Enware Australia.

DRAWN	SM
CHECKED	LR
APPROVED	ENW

ENWARE

9 Endeavour Rd,
Caringbah, NSW, 2229
Ph. +61 2 8536 4000
Fax. +61 2 8556 4055

DRAWING NUMBER: **EX365**

TITLE: **EXPO REC/SET W/FS729 SPRAY**

FINISH: CHROME PLATED

SIZE: A4

SCALE: 1:7

REV **B.00**

A

B

C

D

1

2

3

4

1

2

3

4