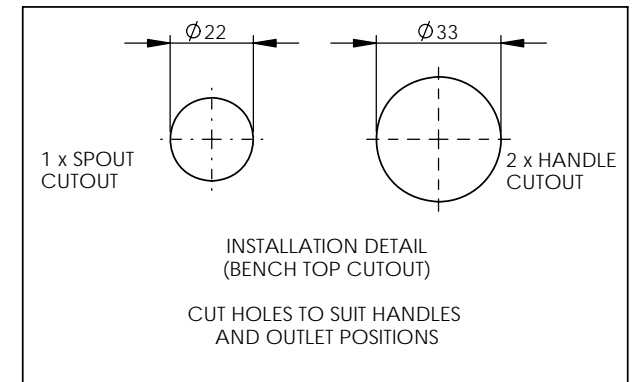


1/2" BSP WITH OLIVE COMPRESSION FITTING



REV	DATE	CN	AMMENDMENTS	MODIFIED BY
A	30/06/05		FIRST ISSUE	
B	09/10/07		REDRAWN AND REASSEMBLE	KN

GENERAL NOTES:
 REMOVE ALL BURRS AND SHARP EDGES UNLESS OTHERWISE STATED
 DIMENSIONS ARE IN mm's
TOLERANCE EXCEPT WHERE STATED:
 NO DECIMAL POINT / 0.2
 ONE DECIMAL PLACE / 0.1
 TWO DECIMAL PLACES / 0.05
 ANGLES / 1

ENWARE RESERVES THE RIGHT TO AMEND PRODUCT SPECIFICATIONS AND DESIGNS WITHOUT NOTICE.

DRAWN		9 Endeavour Rd, Caringbah, NSW, 2229	
CHECKED	AC	Ph. 61-2-9525-9511	
APPROVED		Fax. 61-2-9524-8421	
TITLE: EXPO BASIN SET W/SP001			
Scale: Not To Scale		Scale: Not To Scale	
MATERIAL:			
FINISH: CHROME PLATED			
This drawing is the Copyright of Enware Australia Pty Ltd and may not be reproduced in full or part without the written consent of Enware Australia Pty Ltd		DWG NO. EX306	SHEET 1 OF 2