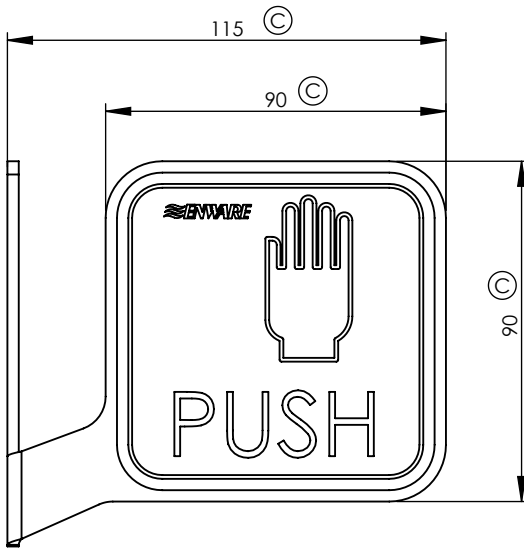
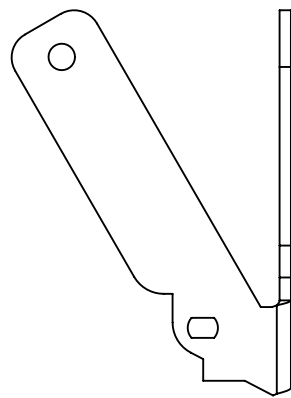
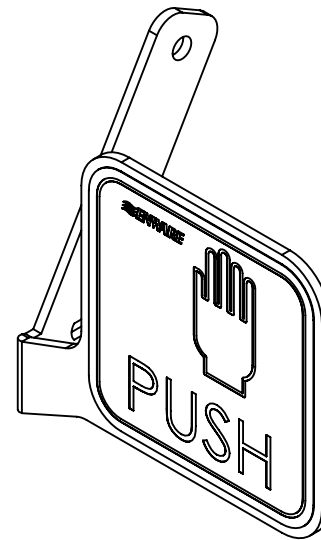
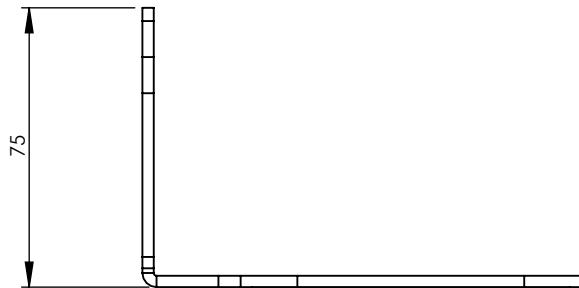


A

B

C

D



1

1

2

2

3

3

4

4

REVISION				
REV.	DATE	ECN	DESCRIPTION	MODIFIED BY
A	16/06/14		FIRST ISSUE	
B	23/09/10		REDRAWN IN SOLIDWORKS	SM
C	27/08/15	5043	UPDATED SHAPE OF HANDLE. DIM.115 WAS 125, 90 WAS 100	TD

GENERAL NOTES:
 - REMOVE ALL BURRS AND SHARP EDGES UNLESS OTHERWISE STATED
 - ALL THREADS TO BE CHAMFERED
 - DIMENSIONS ARE IN mm's
 - DO NOT SCALE OFF DIMENSIONS

TOLERANCE EXCEPT WHERE STATED:
 NO DECIMAL POINT / 2
 ONE DECIMAL PLACE / 1
 ANGLES / 1°

ENWARE RESERVES THE RIGHT TO AMMEND PRODUCT SPECIFICATIONS AND DESIGNS WITHOUT NOTICE

DRAWN	PK
CHECKED	YK
APPROVED	AC



This drawing is the property of Enware Australia Pty Ltd and may not be reproduced in full or part without the written consent of Enware Australia.



9 Endeavour Rd,
 Caringbah, NSW, 2229
 Ph. 61-2-9525-9511
 Fax. 61-2-9524-8421

TITLE
PUSH HANDLE

DRAWING NUMBER: **ESP007**

FINISH: POWDERCOATED YELLOW

SIZE: A4 SCALE: 1:2 SHEET: 1 OF 2

A

B

C

D