

SINGLE FUNCTION WHITE HANDPIECE

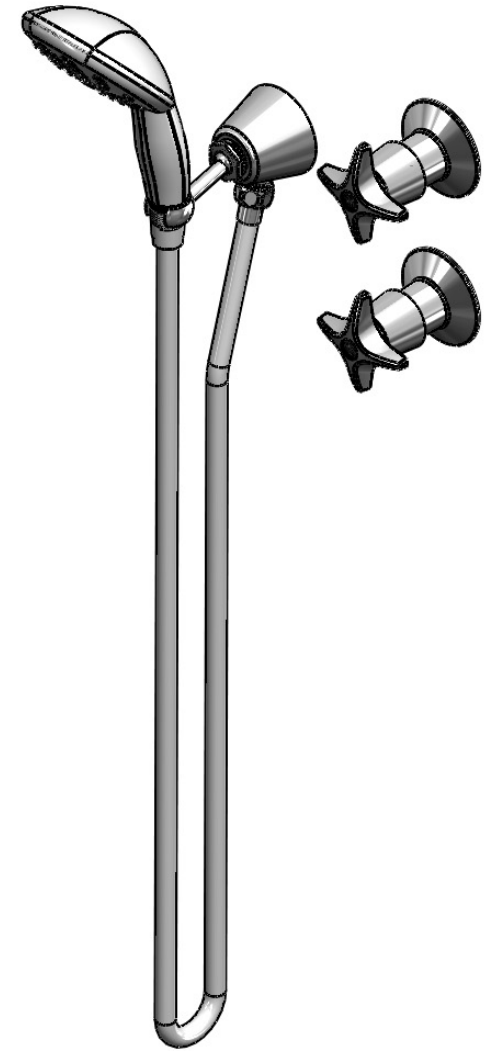
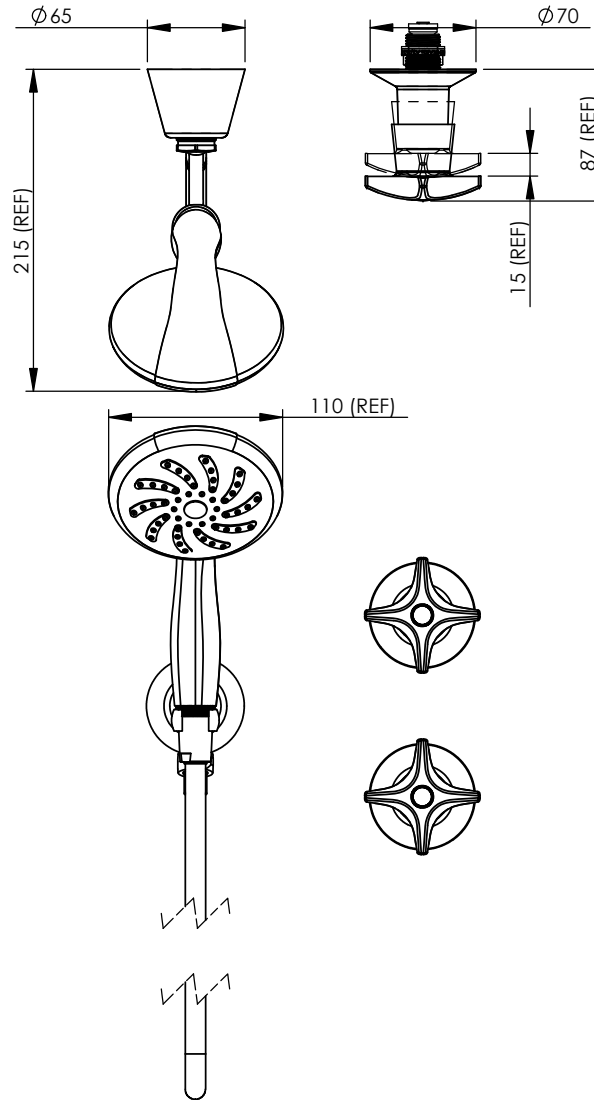
HOOK ROTATABLE

5/8" BSP

1/2" BSP  
WATER INLET

1.5m LONG WHITE  
COLOUR HOSE

225 (REF)



REV	DATE	CN	AMENDMENTS	MODIFIED BY
A	04/12/06		FIRST ISSUE	
B	08/02/12		BOM CHANGED, 672811 REPLACE 672230, 672826 REPLACE 672159 & 672239,	
			GENERAL DIMENSION CHANGED, 672434 WAS 672402	KN

**GENERAL NOTES:**  
 REMOVE ALL BURRS AND SHARP EDGES UNLESS OTHERWISE STATED  
 DIMENSIONS ARE IN mm's  
**TOLERANCE EXCEPT WHERE STATED:**  
 NO DECIMAL POINT  $\pm 0.2$   
 ONE DECIMAL PLACE  $\pm 0.1$   
 TWO DECIMAL PLACES  $\pm 0.05$   
 ANGLES  $\pm 1$

ENWARE RESERVES THE RIGHT TO AMEND PRODUCT SPECIFICATIONS AND DESIGNS WITHOUT NOTICE.

DRAWN	KN	9 Endeavour Rd, Caringbah, NSW, 2229 Ph. 61-2-9525-9511 Fax. 61-2-9524-8421	
CHECKED			
APPROVED			
TITLE: CS REC/SET W/SP272 SHWR		Scale: Not To Scale	
MATERIAL:		Scale: Not To Scale	
FINISH:		Scale: Not To Scale	
This drawing is the Copyright of Enware Australia Pty Ltd and may not be reproduced in full or part without the written consent of Enware Australia Pty Ltd		DWG NO. CS361	SHEET 1 OF 2