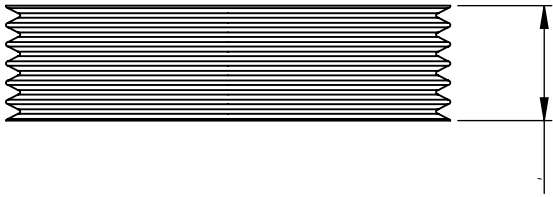
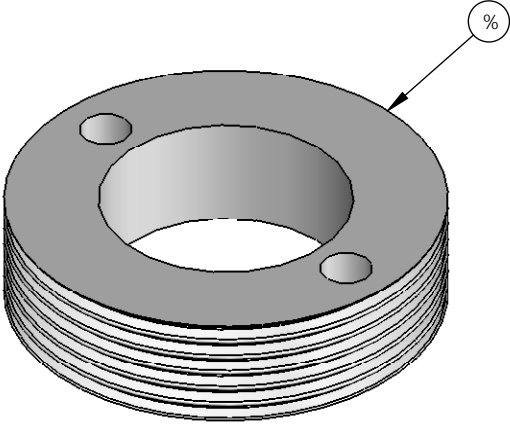
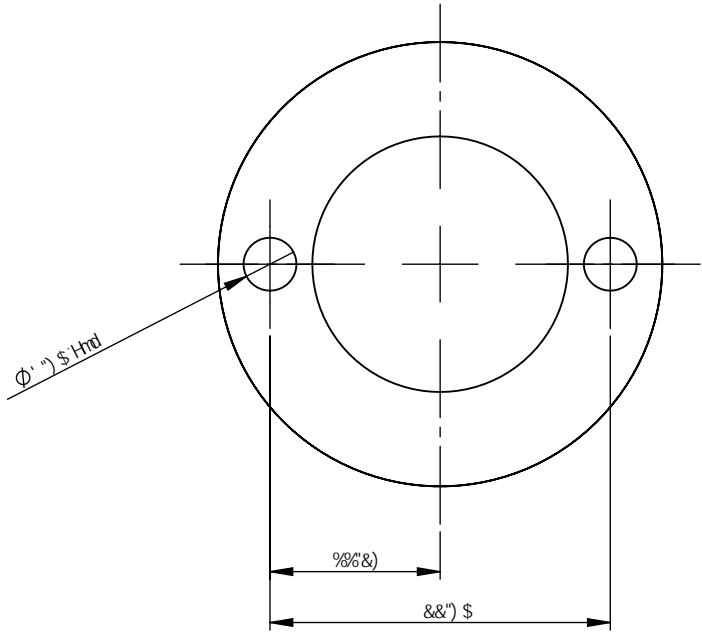


#9A "BC"	D5FHBI A 69F	8 9G7 F-DHC B	E HM
%	, - & ')	HMD9 *%F 9H5-B-B: BI H	%



F9J	85H9	7 B	5A A 9B8A 9BHG	5 DD
5	% #/5#\$*		: FGH-GG 9	

: 9B 9F5@BCH9G
 : F9A CJ 95@6l FFG5B8
 : G-5FD 98: 9G1 B@GG
 : C H: 9FK 49 GH5H98
 : 8 A 9BGC BG5F9-B a a fū
 HC @F5B7 99L7 9DHK < 9F9GH5H98:
 BC: 897 A 5@DC-BH"..... 2/ \$"&
 CB9897 A 5@D@579..... 2/ \$%
 HK C 897 A 5@D@579G..... 2/ \$*\$)
 5B: @G..... 2/ %
 9BK 5F9F99FJ 9GH: 9F+ <HHC 5A 9B8 DFC 81 7
 Q97 + #5HC BG5B8 89G+ BGK #C: I HBC H7 9

8F5K B ?B - 9bXYUj ci fFXZ
 7 <97 798 PK 7 Ufjpb[VU\ZBGK Z&&&-
 5DDFC J 98 D\ "" *9&(-) &!) -)%%
 : UI "" *9&(-) &(!, (&%
 HH@: HMD9 *%F 9H5-B-B: BI H
 GWUY . BchH: GWUY
 A 5H9F 5@
 : B G<.
 H jgXfUk bl jghY 7 cdfj\ \hcZ
 9bk UY 5i gfuJU Dm@X UbX a Um
 bc hVY YdfCXi WX jz z cfdUth
 k hci hAY k [HW b Vebg/bhcZ
 9bk UY 5i gfuJU Dm@X



8K: "BC" G< 99H% C: %
 6l 6&-)