

Kolo Style Asymmetrical Wash Basin 650 - Right Bowl

Wall mounted 650mm wash basin with lay off surface at the rear of the wash basin with bowl on the left.

KST217662

FEATURES

- 650mm long vitreous china basin
- Fully glazed under and over preventing bacteria growth
- Mounting bolts included
- Waste plug included
- Basin bowl capacity 6.5L to overflow
- Basin weight 18kg
- Suitable for AS1428.1 applications**

OPTIONS

- Standard P-Trap 40mm white KOL15600
- Microtrap chrome plated plastic finish with pop-up IFO15917
- Bottle Trap adjustable chrome plated plastic finish KOL17013
- Shroud KST27100
- 3 tapholes available (special production terms will apply)
- Available as left hand bowl KST217652



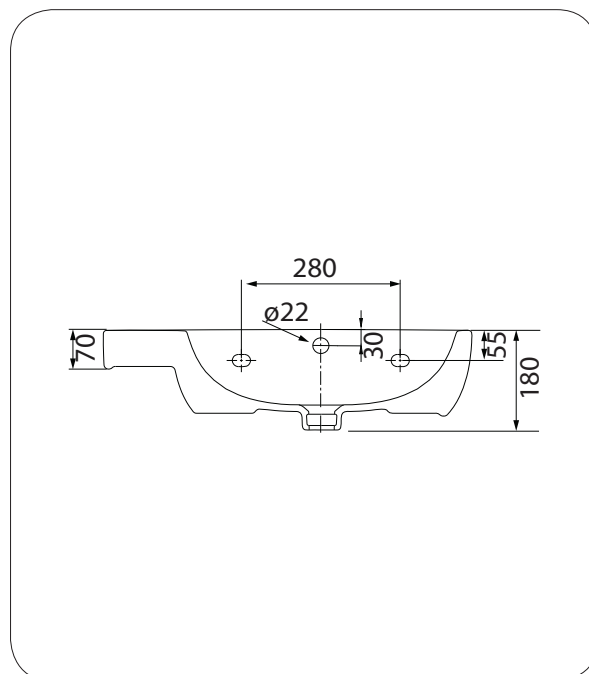
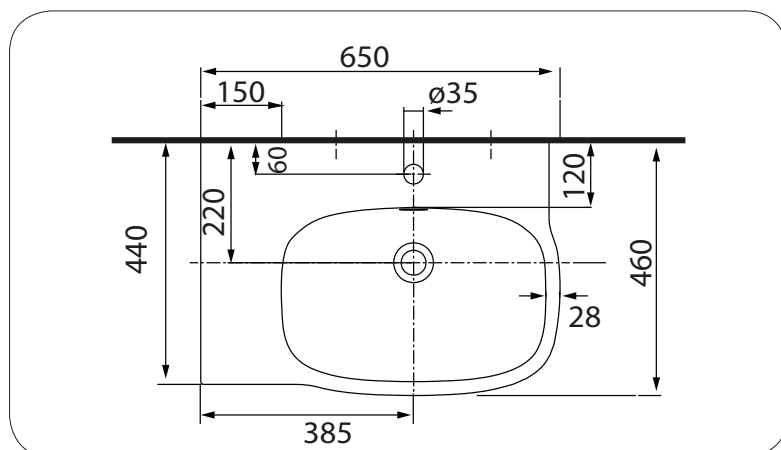
TAPS NOT INCLUDED
Pictured with optional shroud

Product Codes

KST217662	Right Bowl 1 x Taphole 1 x Overflow
KST217662-100	Right Bowl 1 x Taphole No Overflow
KST217660-100	Right Bowl No Taphole 1 x Overflow
KST21766222	Right Bowl 3 x Taphole 1 x Overflow

**Please note:

1. Basin must be installed 820-830mm from finished floor in order to comply with AS1428.1.
2. When installing this basin in a corner with the centre of basin bowl at 425mm from side wall as per AS1428.1, there will be a gap of 40mm min. between the side wall and the basin.
3. Basin with shroud does not comply with AS1428.1.



Version: Dec 17

Call 1300 369 273
www.enware.com.au

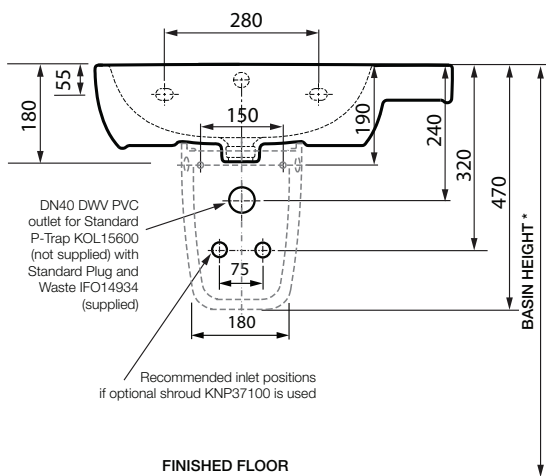
Enware Australia Pty Limited
9 Endeavour Rd Caringbah NSW 2229 Australia
Ph: 02 8536 4000 Fax: 02 8556 4055

Kolo Style Asymmetrical Wash Basin 650 - Right Bowl

KST217662

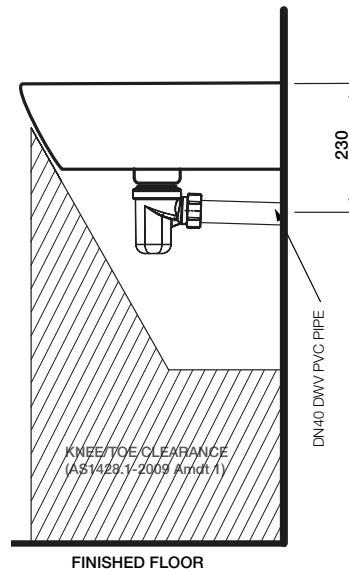
STANDARD P-TRAP SET OUT

Standard P-Trap (not supplied)
Code: KOL15600
Standard Plug and Waste (supplied)
Code: IFO14934
Shroud (not supplied)
Code: KNP37100



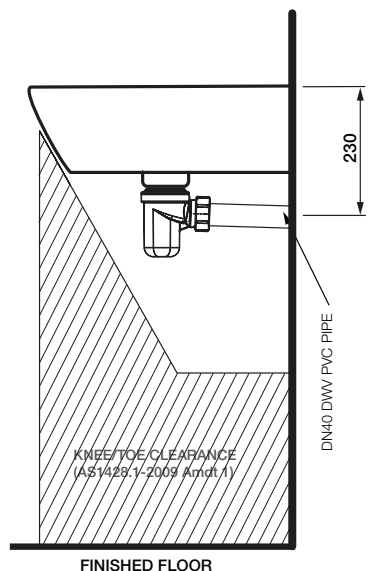
MICROTRAP SET OUT

Microtrap Chrome
With Plug & Grate (not supplied)
Code: IFO15916
With Pop Up (not supplied)
Code: IFO15917

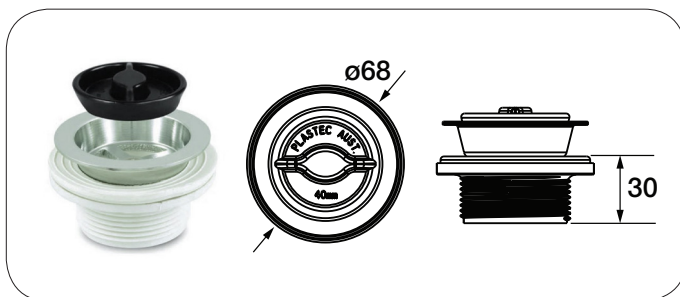


BOTTLE TRAP SET OUT

Bottle Trap Chrome Adjustable (not supplied)
Code KOL17013
Standard Plug & Waste (supplied)
Code IFO14934



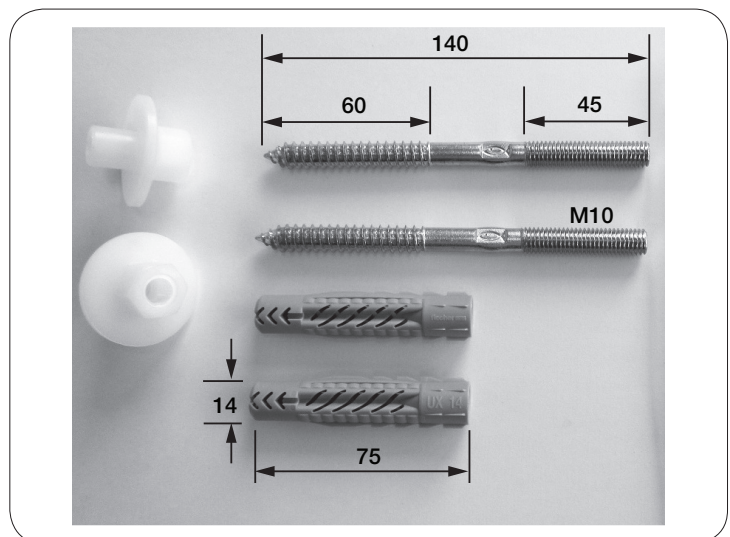
IFO14934 PLUG AND WASTE



All basin mounting contact surfaces to be sealed with high grade anti-bacterial silicone of appropriate colour.

All basins are supplied with standard plug and waste (IFO14934) and fixing bolts (IFO707).

IFO707 LAG BOLTS



Version: Dec 17

Call 1300 369 273
www.enware.com.au

Enware Australia Pty Limited
9 Endeavour Rd Caringbah NSW 2229 Australia
Ph: 02 8536 4000 Fax: 02 8556 4055

