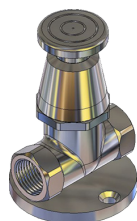


# HANDS FREE FOOT & KNEE OPERATED TAPWARE

## Installation Instructions

### FOOT OPERATED SPRING ACTION



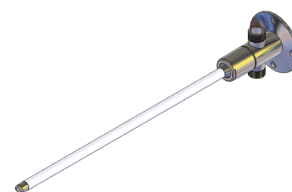
Self-closing Spring Action mechanism, installed on the floor and operated by pushing with your foot. Turns off as soon as the pedal is released.

### KNEE OPERATED SPRING ACTION



Self-closing Spring Action mechanism, operated by pushing the lever with your knee. Turns off as soon as the lever is released.

### KNEE OPERATED TIME FLOW



Self-closing valve that flows for a set period of time, operated by pushing the lever with your knee. Available with timing options of 3, 7 or 15 seconds.

## TECHNICAL INFORMATION

Inlet Connection	15mm (1/2" BSP)
Working Pressure Range (Spring Action)	30 – 1200 kPa
Recommended Working Pressure Range (Spring Action)	100 – 500 kPa (Max. 500 kPa – AS3500)
Working Pressure Range (Time Flow)	100 - 500 kPa
Recommended Working Pressure Range for Optimum Performance (Time Flow)	250 - 350 kPa
Operating Temperature Range (Spring Action)	0 - 85 °C *
Operating Temperature Range (Time Flow)	5 - 50 °C *
Recommended Operating Temperature Range for Ablutions	5 – 30 °C
Recommended Temperature for Use as a Hot Water Valve	Pre-Mixed Warm Water Thermostatically Regulated to Maximum 45 °C *

For use with potable water only.

I00079\_JUN16

Call 1300 369 273  
[www.enware.com.au](http://www.enware.com.au)

Enware Australia Pty Limited  
9 Endeavour Rd Caringbah NSW 2229 Australia  
Ph: +61 2 8556 4000 Fax: +61 2 8556 4055

# COMPLIANCE

Enware products must be installed in accordance with the Plumbing Code of Australia (PCA), AS/NZS3500 and the manufacturer's instructions. Installations not complying with PCA, AS/NZS 3500 and the manufacturer's instructions may void the product and performance warranty provisions. Reference should also be made to the ABCB and Local Government regulations when considering the choice of, and the installation of these products.

This product must be installed and commissioned by a qualified plumber.

\* Where the product is used as a hot water tap, it should only use thermostatically regulated pre-mixed warm water. There can be no control over the mixed water temperature as is normally achieved in a standard mixing tap, as the spring action and time flow mechanisms are either fully on or off.

NOTE: Enware Australia advises:

1. Due to ongoing Research and Development, specifications may change without notice.
2. Component specifications may change on some export models.

## INSTALLATION

### BEFORE PROCEEDING WITH INSTALLATION

- Ensure all supply lines are flushed thoroughly to remove debris prior to the installation of this product as per AS/NZS 3500.1. Strainers (40 mesh) are recommended if debris is an ongoing problem.
- This product must be installed and commissioned by a qualified plumber.

**STEP 1** Flush the water supply line to clear any debris.

#### STEP 2 Installing the Tap

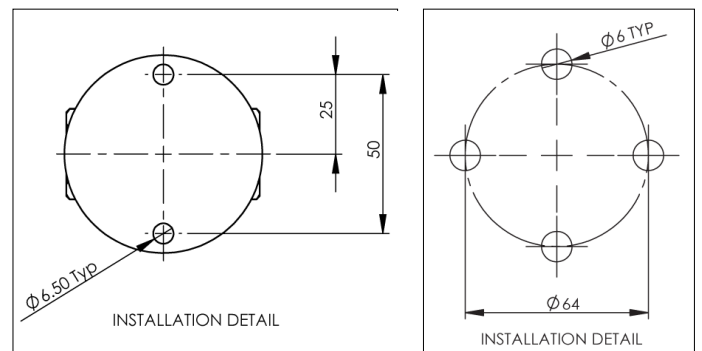
Determine the layout of the foot or knee operated tap, considering ease of use but ensuring that the location of the tap and associated plumbing do not cause a trip hazard.

Mark and drill holes on the floor or wall surface as illustrated, and use appropriate fixing method to secure the tap in place. Fixing screws and plugs are not supplied.

Connect plumbing to inlet and outlet of the tap.

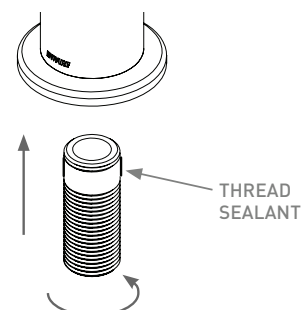
If installing the spout, ensure thread sealant is applied to the non-bevelled end of the tail, and screwed into the spout before securing the spout onto basin with the back nut.

Dimensions for the drill holes are shown below:



**SPRING ACTION -  
FOOT & KNEE OPERATED**

**TIME FLOW -  
KNEE OPERATED**



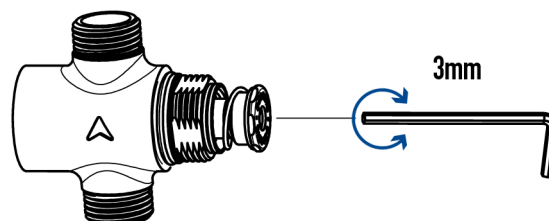
# INSTALLATION

**STEP 3** Turn water on and check the threaded joints for leaks. Test operation of the tap.

## STEP 4 Flow Adjustment (For Time Flow Mechanism Only)

The flow rate can be adjusted without shutting-off the water supply or removing the mechanism.

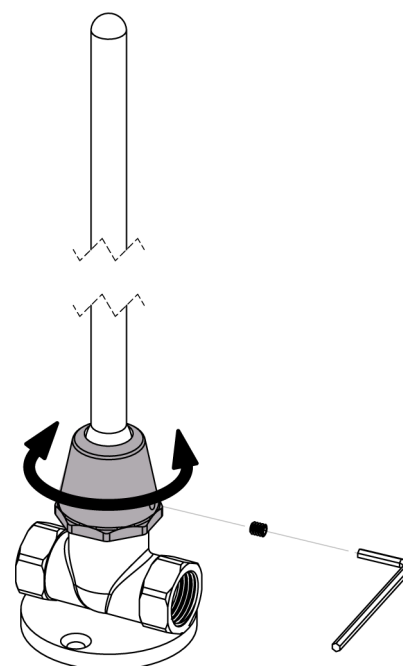
1. Unscrew the dome and remove lever and dome.
2. Insert a 3mm Allen key into the slot in the centre of the cartridge.
3. Press the push button and turn on the flow.
4. Turn the Allen key to adjust the flow rate on the valve:
  - Turn clockwise to decrease the flow rate
  - Anticlockwise to increase the flow rate



## STEP 5 Dome Adjustment (For Spring Action Mechanism Only)

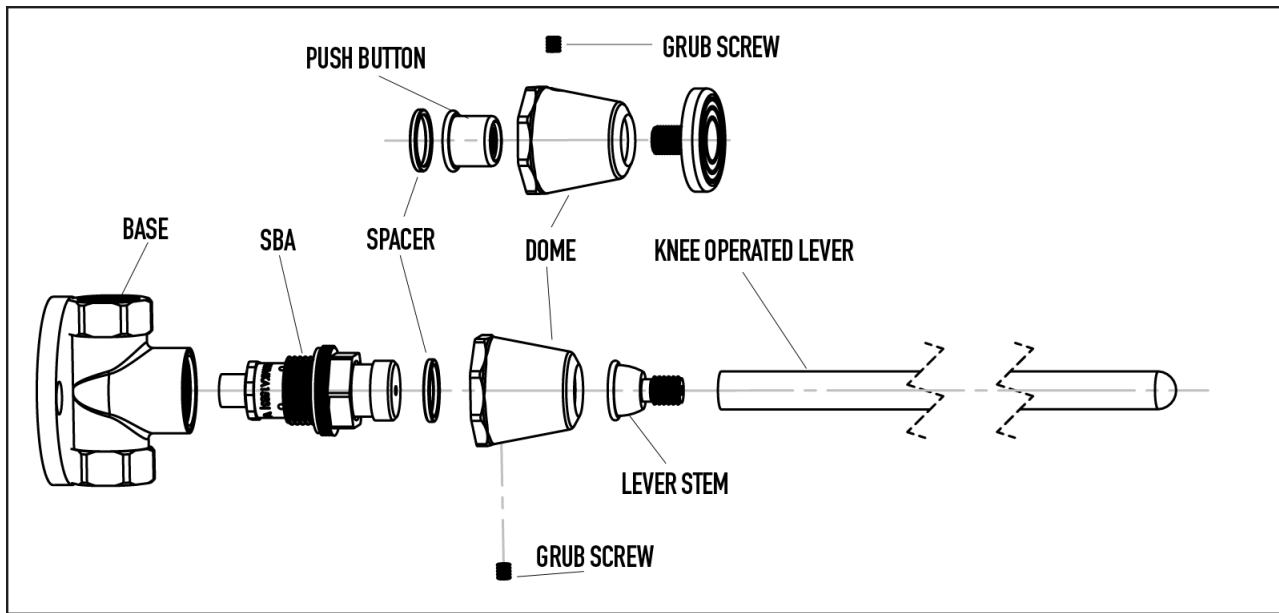
Adjust the position of the dome if:

- there is too much play on the lever or pedal
  - if the tap is not shutting off completely, or
  - if there is no water flow
- A. Using a 3/32" or 2.5mm Allen key, undo the grub screw located on the side of the dome near the hex.
  - B. Unscrew the dome from the SBA slowly. (The water flow should stop if it has been running.)
  - C. Now this time, screw the dome into the SBA. Water should begin to flow from the outlet.
  - D. At this point, unscrew the dome just slightly by approx. 1/3 - 1/2 a turn - the water should stop flowing from the outlet. This is the ideal position of the dome. If the dome is screwed in too far, the lever/pedal will push the plunger down and let water through constantly. If the dome is wound too far out, the lever/pedal will have too much play and will feel loose.
  - E. Once the correct dome position is achieved, install the grub screw ensuring it is tightened square against one of the SBA flats underneath to maximize vandal resistance.
  - F. Re-test the valve for correct operation
  - G. If problems persist, refer to Trouble Shooting

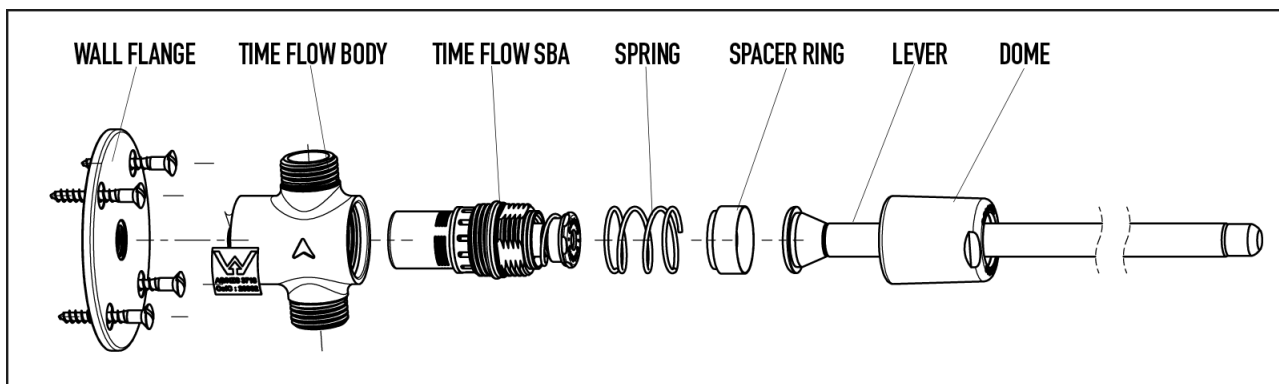


# COMPONENTS

## SPRING ACTION – FOOT & KNEE OPERATED



## TIME FLOW – KNEE OPERATED



# SPARE PARTS

## SPRING ACTION

BUB260L	SBA – Spring Action Lever/ Foot Op
BUB221L	Dome – Spring Action Lever/ Foot Op
BUB256	Spring Action Regulator Cap
893514	Spring Action Regulator Screw
MIS592	Allen Key 3/32"
BUB289	Spring Loaded SBA Service Kit (for Spring Action - Lever & Foot Op): (includes 2x piston O-rings, 1x spring, 1x Ball, 1x Ball seating washer, 1x seat O-ring, 1x red fibre washer)
BUB301	Knee Operated Lever Only – for Spring Action
672455	Grub Screw (for Dome)

## TIME FLOW

TFC791	SBA – Time Flow Cartridge
TFC753005	Service Kit – Time Flow 7 seconds
TFC797	Service Kit – Time Flow 15 seconds (factory default)
TFC796	Knee Operated Lever Only – Enware Delabie

# TROUBLE SHOOTING

## SPRING ACTION

PROBLEM	CAUSE	RECTIFICATION
Water runs constantly from outlet	Dome screwed in too far Dome incorrectly adjusted	Adjust dome. See Installation STEP 5
	Debris fouling ball seating washer or stainless steel ball	Dismantle SBA and clean
	SBA ball seating washer is damaged or spring is broken	Replace SBA components using spare part kit BUB289 or replace SBA
	Piston jammed in open position	Replace SBA components using spare part kit BUB289 or replace SBA
No flow from outlet	Water supply turned off	Turn water on
	Debris fouling inlet or outlet ports of SBA	Remove SBA and remove blockage
	Debris fouling flow adjustment screw	Remove flow adjustment cap and adjustment screw and remove blockage
	Rubbish/debris fouling outlet	Remove blockage
Handle feels too loose	Dome screwed out too far Dome incorrectly adjusted	Adjust dome. See Installation STEP 5.
Spring action does not move	Piston in SBA is seized	Clean piston and piston o-rings, and regrease. Use spare part kit BUB289.
Water discharge from top of dome/ SBA	Piston O-rings are worn	Replace O-rings using spare part kit BUB289. Regrease piston
Fountain water stream too low or too high	Water supply conditions have changed or are fluctuating Incorrect flow adjustment	Check water supply pressure. Reset water stream height by adjusting flow adjustment screw – see Installation STEP 4

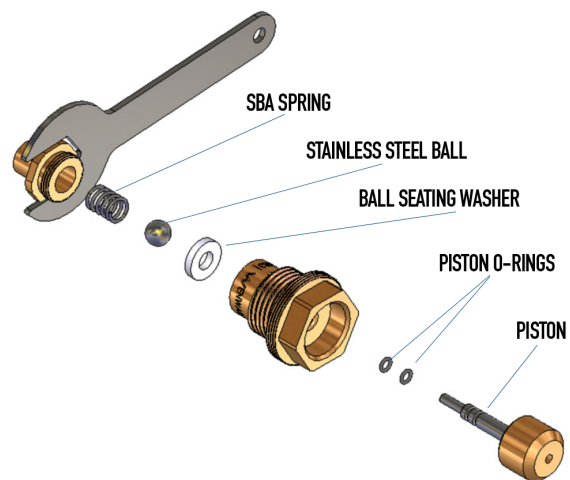
## TIME FLOW

PROBLEM	CAUSE	RECTIFICATION
Water runs constantly / leaking from outlet	Debris fouling time flow cartridge	Dismantle cartridge and clean. If problem persists, replace components using service kit or replace cartridge. If debris is an ongoing problem, install a strainer (40 mesh) upstream
	Scale build up on time flow cartridge jacket (basket/chamber)	Dismantle cartridge and clean
	Worn piston seals in cartridge	Replace or service cartridge assembly
	Time flow basket is cracked, caused by high impact	Replace timing basket or replace cartridge assembly
	Supply pressure is too high	Ensure water pressure is within under 500 kPa (250 -350 kPa recommended)
Poor or no water flow from outlet	Flow rate setting is incorrect	Adjust flow rate as per Installation STEP 4
	Debris fouling inlet or outlet ports of cartridge	Remove cartridge and remove blockage
	Water supply turned off	Turn on water supply
Water discharge from top of dome/ SBA	Piston O-rings are worn	Service or replace cartridge assembly

# SERVICE AND MAINTENANCE

## SPRING ACTION

It is recommended that the spring action be periodically serviced. As a guide, every 6 months the spindle should be cleaned and re-greased, and components checked for tightness. The servicing interval will vary depending on the frequency of use of the product, water quality and the general environment. If the components inside the SBA are worn or damaged, replace the SBA, or use the service kit to replace components of the SBA.



## REMOVING THE TOP ASSEMBLY TO ACCESS SBA, CLEANING, AND REFITTING

1. Using a 3/32" or 2.5mm Allen key undo the grub screw located near the hex of the dome.
2. Unscrew the dome from the SBA.
3. Remove any grease or scale build up in the dome and the top assembly components. Use a diluted solution of CLR for cleaning if necessary.
4. To re-fit the top assembly, grease the inside of the Dome around spindle mechanism, fit the dome and handle assembly, and adjust the position of dome as per INSTALLATION – Step 5

## CLEANING AND LUBRICATING THE SPINDLE

The spring action can be maintained by simply cleaning and lubricating the spindle using a Silicon-based lubricant approved for potable water. This can be done without turning off the water supply.

1. Pull out the piston(the top part) of the SBA and wipe off any excess grease
2. Clean the two small o-rings. Replace them if necessary, and re-grease them.
3. Push the spindle back into the SBA.

## REPLACING THE SBA

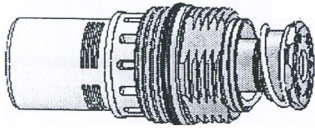
1. Shutoff water supply and remove the top assembly.
2. Use a suitable spanner (26mm) and unscrew the SBA from the tap body. Make sure the seal o-ring is not left on the seat of the body and the old red fibre washer is also removed.
3. Replace with a new SBA.

## SERVICING THE SBA

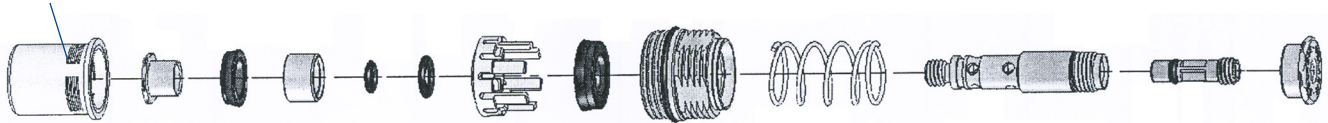
1. Pull the piston assembly out from the SBA and remove the 2 piston o-rings.
2. Use a spanner to unscrew the bottom inlet port, and remove the spring and stainless steel ball in the port.
3. Insert a small screw driver in centre hole of the ball seating washer and remove the ball seating washer by levering it out.
4. Clean all brass and chrome components. Remove any debris or scale, especially on the piston, spindle and in the dome. Use a diluted solution of CLR for cleaning if necessary. Check all brass components for wear or damage, and replace them if necessary.
5. Lightly grease the two small piston o-rings with a silicon based, potable water approved grease (e.g. Hydroseal Tap Lubricant or Molykote111) and fit the two o-rings to the piston.
6. Now reassemble the SBA with new components from Service Kit. Place the ball seating washer, ball and spring back in the bottom inlet port, and tighten up the bottom inlet port to the SBA. Refit the seat o-ring and seating washer. Push the piston into the SBA.
7. Fit the SBA back onto tap body, and turn the water supply on.
8. Depress the piston to start water flow. Release the piston to stop the flow and check for leakage. If a leak is present refer to Troubleshooting to identify cause of leakage & rectify before proceeding.

# SERVICE AND MAINTENANCE

## TIME FLOW



TIMING CHAMBER 3, 7, or 15 sec



**IMPORTANT: DO NOT APPLY GREASE TO INTERNAL COMPONENTS OF TIMEFLOW CARTRIDGE.**

Applying grease will cause malfunction and void warranty.

### CARTRIDGE SERVICING PROCEDURE:

1. Turn water supply off.
2. Unscrew dome and remove lever and dome to expose cartridge.
3. Unscrew cartridge.
4. Pull off the plastic timing chamber.
5. Dismantle cartridge by first loosening the fixing nut at the bottom of the cartridge. Use a spanner, being careful not to round the hex.
6. Pull out all components off spindle and replace with new components in the Service Kit.  
DO NOT APPLY GREASE TO ANY OF THE COMPONENTS.
7. Assemble components back together by reversing the above steps

## CLEANING INSTRUCTIONS

Enware Product should be cleaned with a soft damp cloth using only mild liquid detergent or soap and water. Do not use cleaning agents containing a corrosive acid, scouring agent or solvent chemicals. Do not use cream cleaners, as they are abrasive. Epoxy coated surfaces should only be cleaned with a cloth and clear water or mild detergent. Use of unsuitable cleaning agents may damage the surface. Any damage caused in this way will not be covered by warranty.

## WARRANTY

### PRODUCT WARRANTY FOR AUSTRALIA EFFECTIVE 1 SEPTEMBER 2014

#### ENWARE AUSTRALIA PTY LIMITED

(ACN 003 988 314) (“we” or “us”) warrants that this product (also referred to as “our goods”) will be free from all defects in materials and workmanship for 12 months\* from the date of purchase. Our liability under this warranty is limited at our option to the repair or replacement of the defective product or part, the cost of repair of the defective product or part or the supply of an equivalent product or part, in each case if we are satisfied that the loss or damage was due to a defect in the materials or workmanship of the product or part. All products must be installed in accordance with the manufacturer’s instructions, the PCA, AS/NZS3500 including any other applicable regulatory requirements.

#### MAKING A CLAIM

To make a claim under this warranty you must notify us in writing within 7 days of any alleged defect in the product coming to your attention and provide us with proof of your purchase of the product together with a completed Product Service Request form (ENF091), which is available on request from our office or from our website - [www.enware.com.au](http://www.enware.com.au). All notifications and accompanying forms must be sent to us marked for the attention of the Enware Australia Pty Limited, 9 Endeavour Road, Caringbah NSW 2229. We can also be contacted by phone 1300 369 273 or by email [info@enware.com.au](mailto:info@enware.com.au). Your costs in making a claim under this warranty, including all freight, collection and delivery costs, are to be borne and paid by you. We also reserve the right at our cost to inspect any alleged defect in the product wherever it is located or installed or on our premises.

#### EXCEPTIONS

This warranty does not apply in respect of any damage or loss due to or arising from:

- Failure by you or any other person to follow any instructions for use (including instructions and directions relating to the handling, storage, installation, fitting, connection, adjustment or repair of the product) published or provided by us;
- Failure by you or any other person responsible for the fitting, installation or other work on the product to follow or conform to applicable laws, standards and codes (including the AS/NZ 3500 set of Standards, all applicable State and Territory Plumbing Codes, the Plumbing Code of Australia and directions and requirements of local and other statutory authorities); or
- Any act or circumstance beyond our control including faulty installation or connection, accident, abnormal use, acts of God, damage to buildings, other structures and infrastructure and loss or damage during transit or transportation of the product.

#### OTHER CONDITIONS

Except as provided or referred to in this document, we accept no other or further liability for any damages or loss (including indirect, consequential or economic loss) and whether arising in contract, tort or otherwise. Any benefits available to you under this warranty are in addition to any non-excludable rights or remedies you may have under applicable legislation, including as a “consumer” under the Australian Consumer Law. To that extent you need to be aware that: Our goods come with guarantees that cannot be excluded under the Australian Consumer Law. You are entitled to a replacement or refund for a major failure and for compensation for any other reasonably foreseeable loss or damage. You are also entitled to have the goods repaired or replaced if the goods fail to be of acceptable quality and the failure does not amount to a major failure.

*\*Spring Action Tapware Warranty Period: 1 Year parts and labour on the complete assembly. TFC Series Time Flow Tapware Warranty Period: 10 Years (2 years parts and labour on the complete assembly from the date of purchase of the product. After 2 years, a further 8 years warranty against material and manufacturing defects.)*

**ADDRESS:** 9 Endeavour Road, Caringbah NSW 2229 Australia

**POSTAL ADDRESS:** P.O. Box 2545, Taren Point NSW 2229 Australia

**PHONE:** 61 2 8536 4000    **FAX:** 61 2 8556 4066

**1300 369 273 (AUS)    [WWW.ENWARE.COM.AU](http://WWW.ENWARE.COM.AU)    [INFO@ENWARE.COM.AU](mailto:INFO@ENWARE.COM.AU)**

ABN 23 003 988 314

